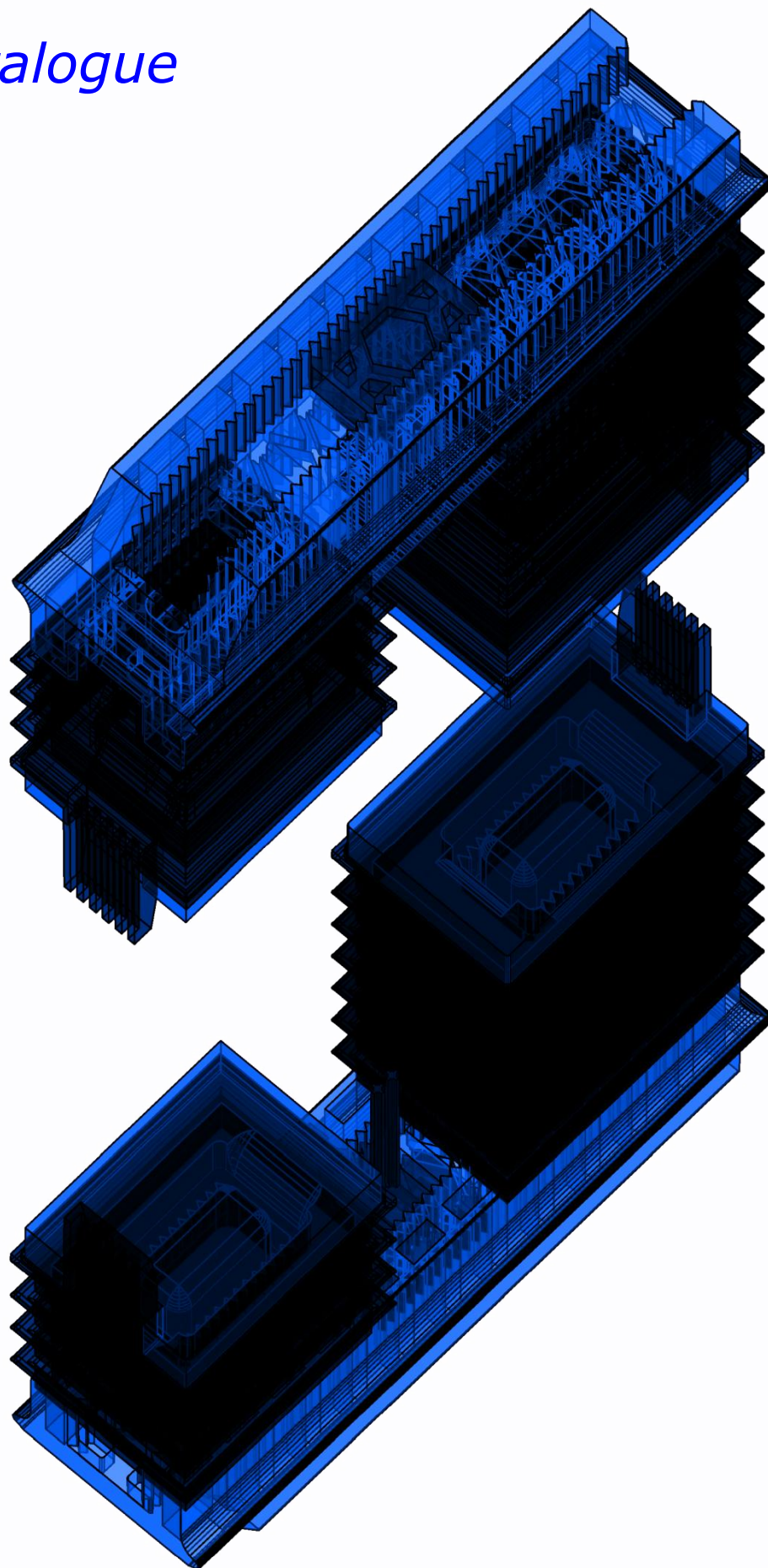


Catalogue



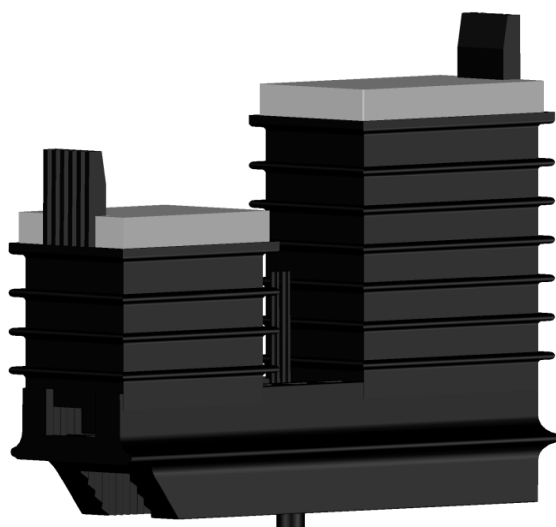
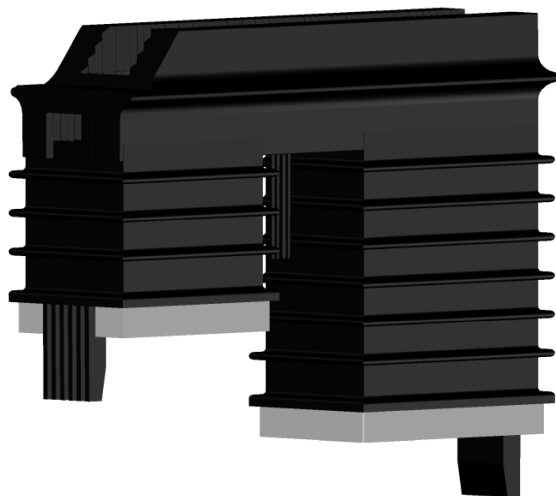
CGSPLAST
WE SUPPORT TECHNOLOGY



Serie 700 hp

Catalogue

Introduction



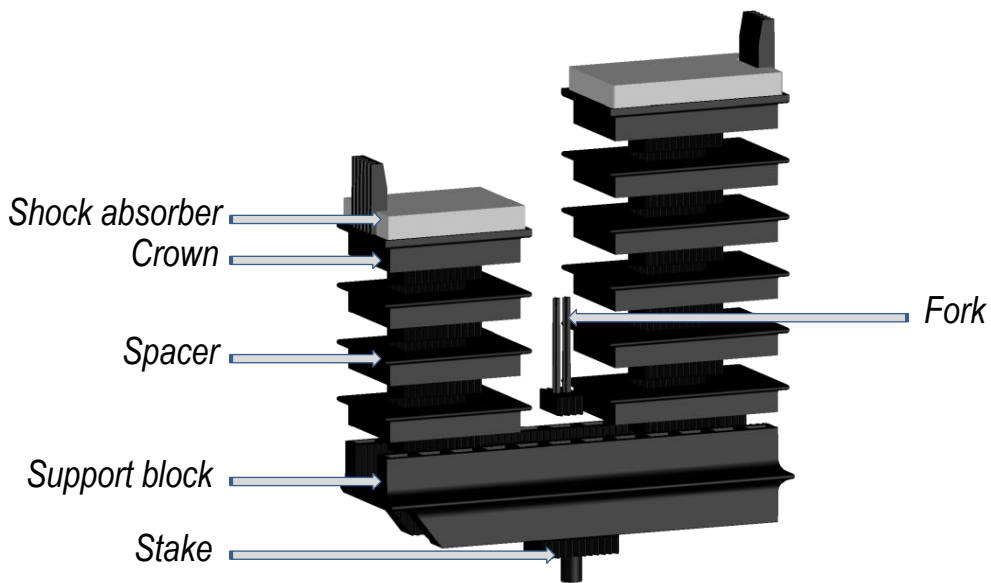
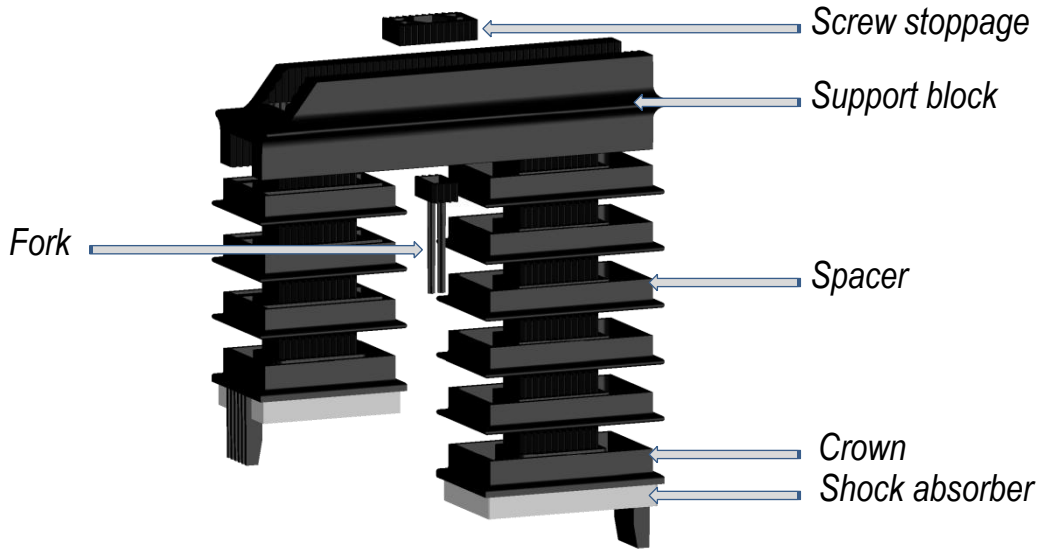
Coil fixing system for cast resin power transformers up to 10 MVA.
Created by the evolution of the 700 serie to meet the needs of wind and anti-seismic industry.

Versatile and modular with polymer molded parts 50% glass fibres reinforced and heat deflection temperature (HDT) of 210°C

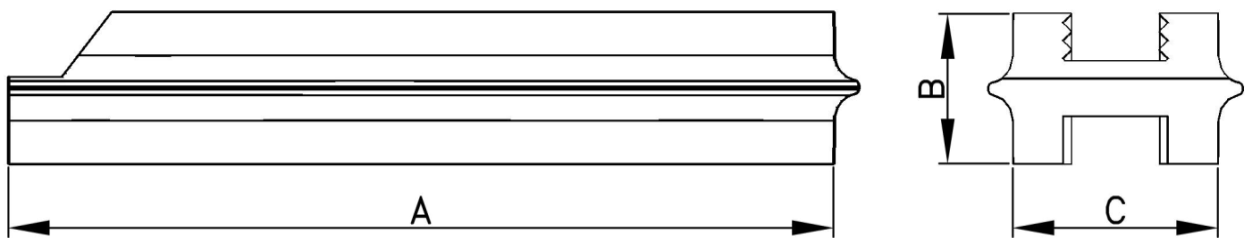
Possibility to extend this system up to 16 MVA upon consultation with our technical Dept.

In close cooperation with the customer C.G.S. PLAST can develop the new solutions.

Components



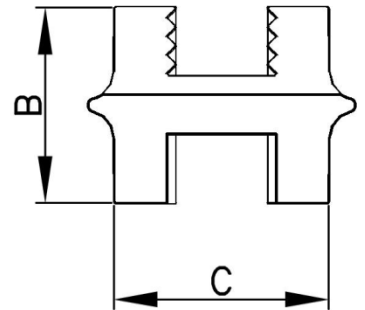
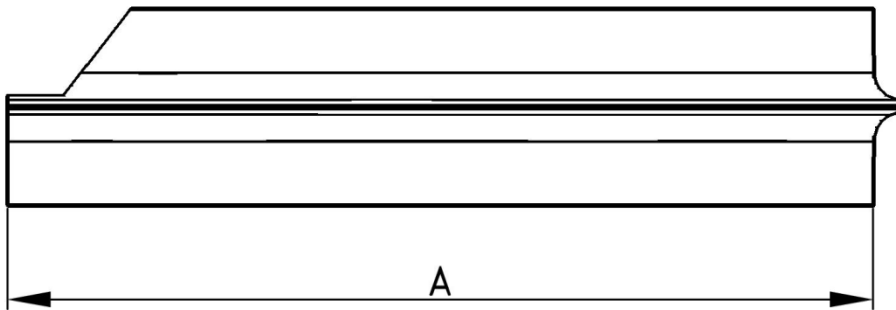
Support block



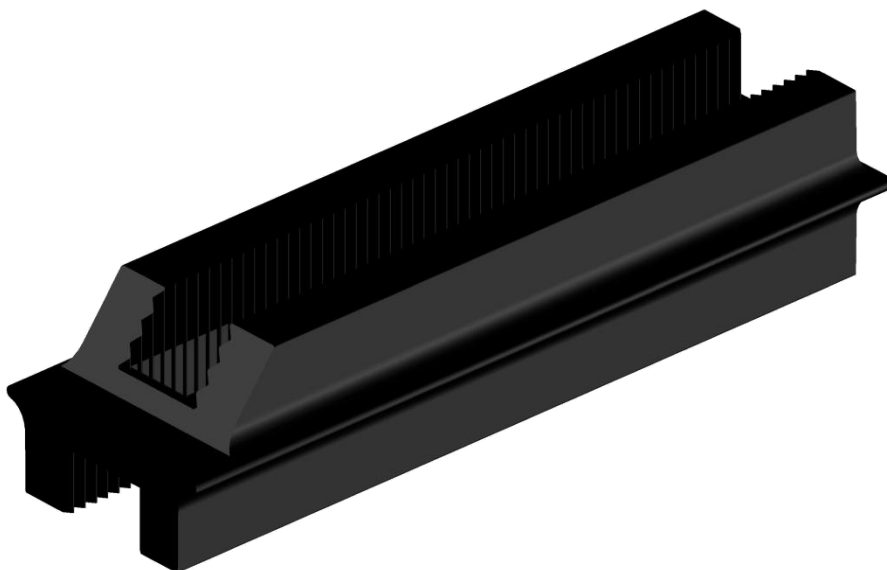
Code	A mm	B mm	C mm
702.140 hp	140	40	60
702.160 hp	160	40	60
702.180 hp	180	40	60
702.200 hp	200	40	60
702.220 hp	220	40	60
702.240 hp	240	40	60
702.260 hp	260	40	60
702.280 hp	280	40	60



Support block



Code	A mm	B mm	C mm
701.140 hp	140	50	60
701.160 hp	160	50	60
701.180 hp	180	50	60
701.200 hp	200	50	60
701.220 hp	220	50	60
701.240 hp	240	50	60



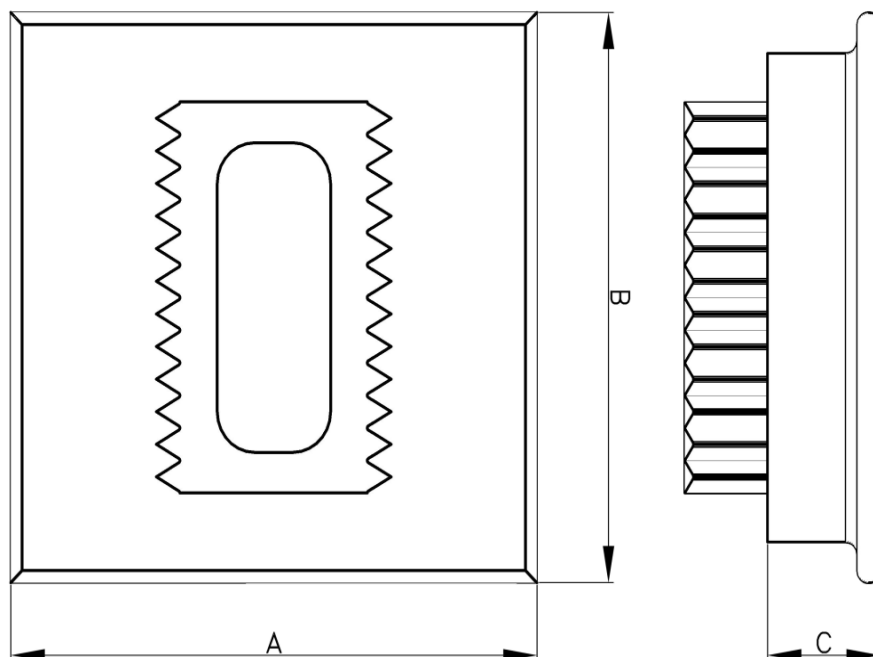
Serie 700 hp

Support block h 50 mm

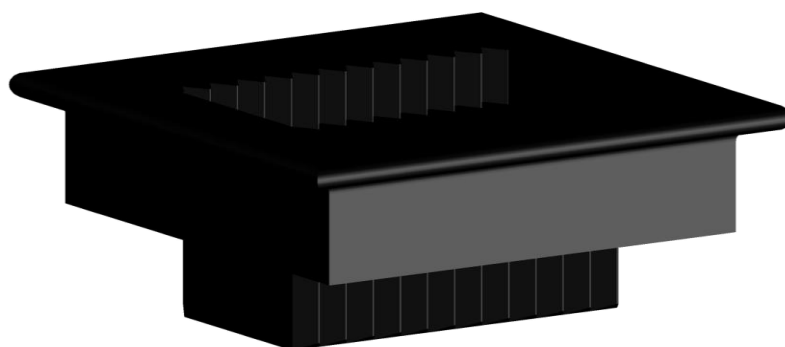
Spacer



CGSPLAST
WE SUPPORT TECHNOLOGY

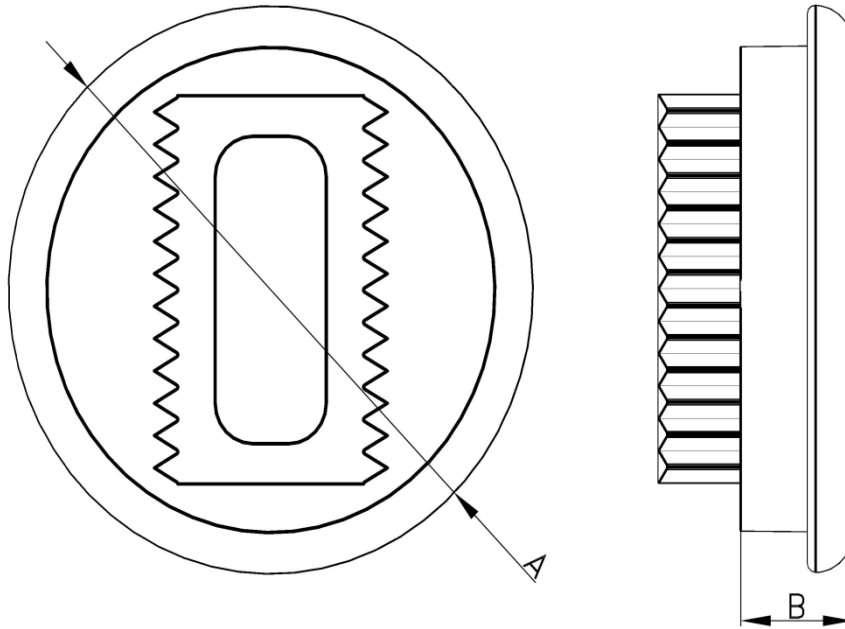


Code	A mm	B mm	C mm
711.045 hp	70	45	15
711.015 hp	70	70	15
711.090 hp	70	90	15
711.110 hp	70	110	15

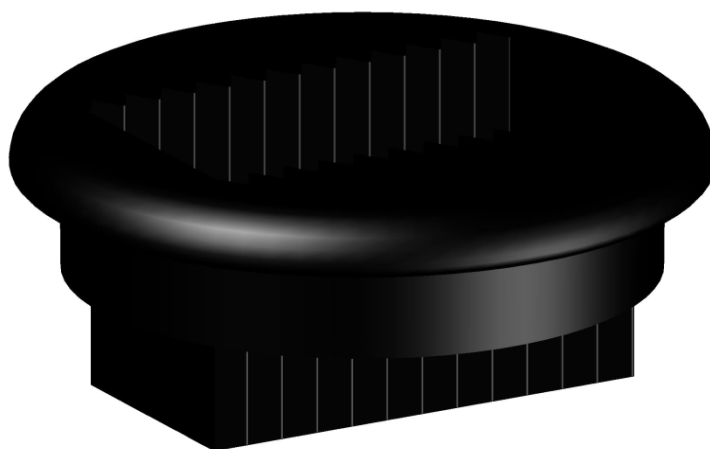


Serie 700 hp
Spacer

Crown diameter 70 mm



Code	A mm	B mm
712.015 HP	70	15



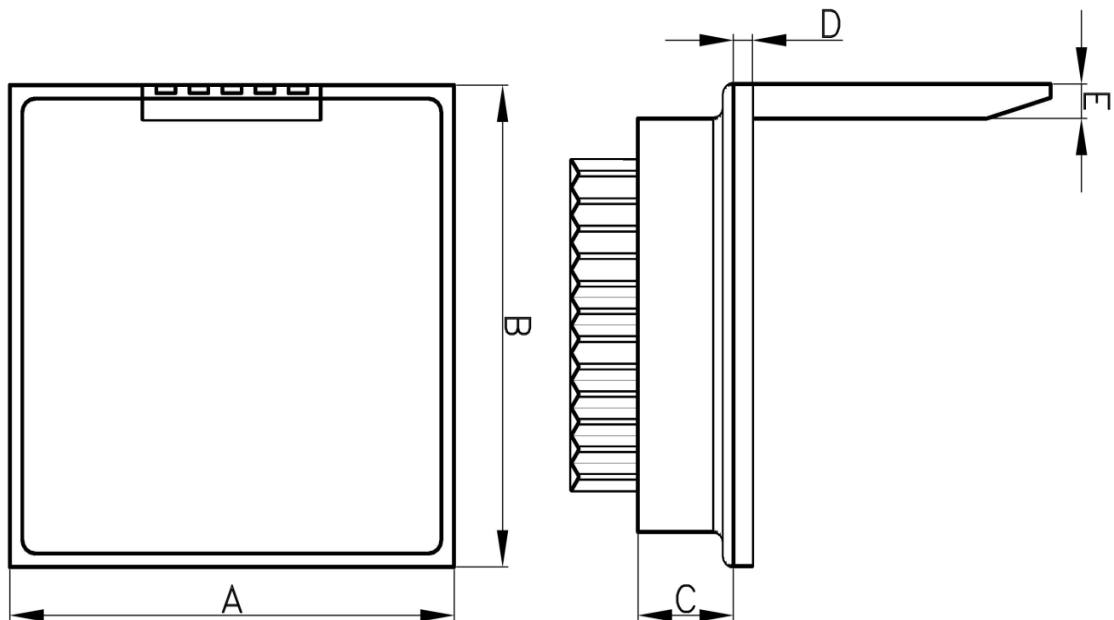
Serie 700 hp

Crown diameter 70 mm

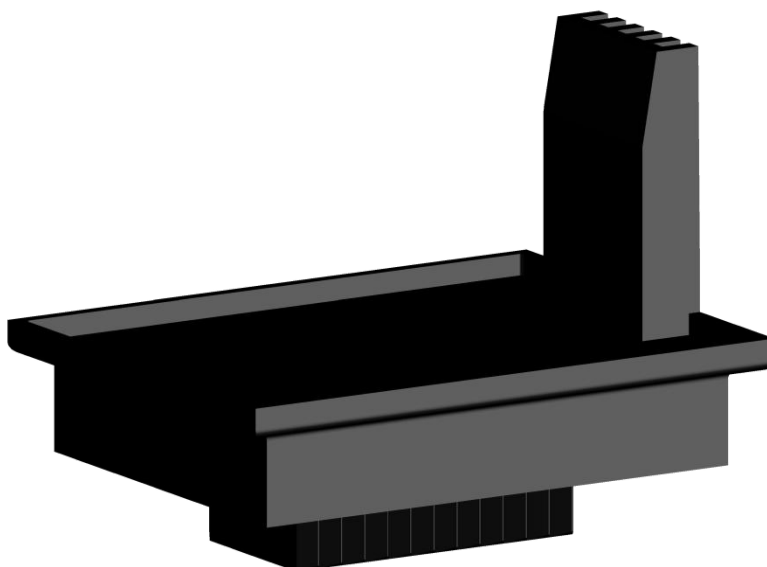


CGSPLAST
WE SUPPORT TECHNOLOGY

Crown with palette



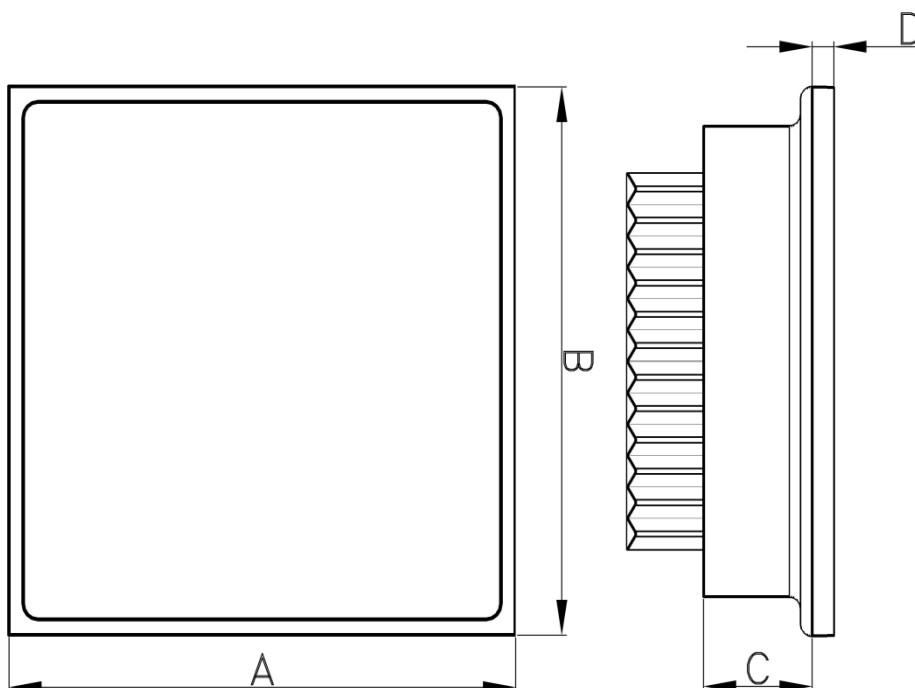
Code	A mm	B mm	C mm	D mm	E mm
724.015 hp	70	70	15	3	5
724.090 hp	70	90	15	3	10
724.110 hp	70	110	15	3	10



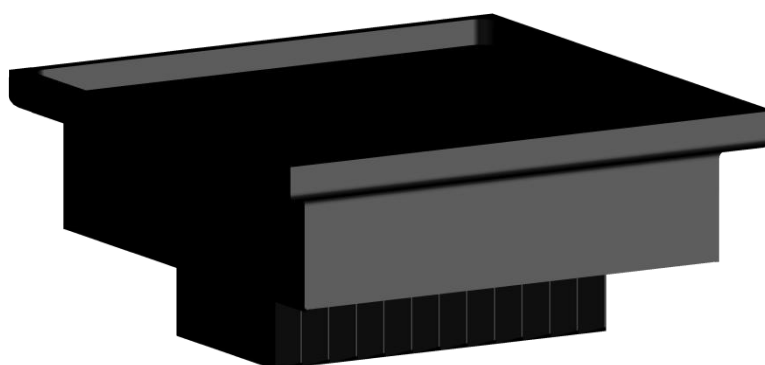
Serie 700 hp

Crown with palette

Crown without palette



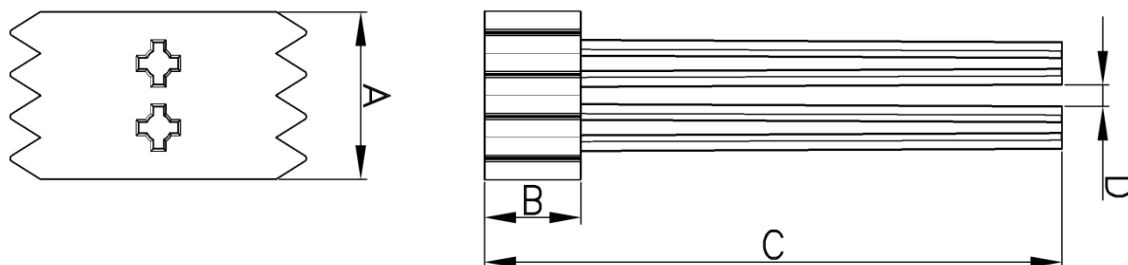
Code	A mm	B mm	C mm	D mm
722.045 hp	70	45	15	3
722.015 hp	70	70	15	3
722.090 hp	70	90	15	3
722.115 hp	70	110	15	3



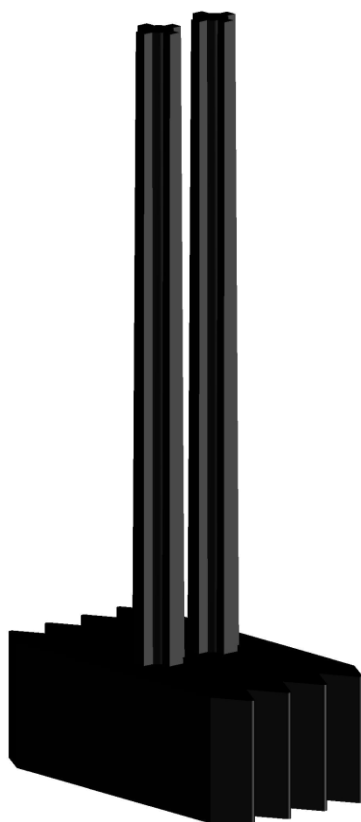
Serie 700 hp

Crown without palette

Fork



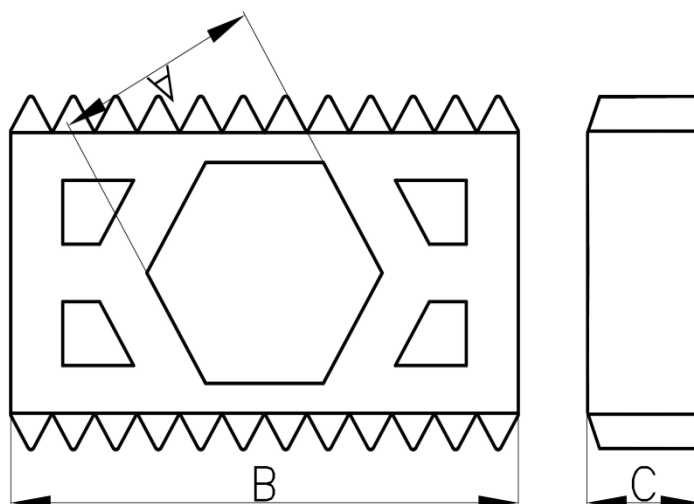
Code	A mm	B mm	C mm	D mm
771.000 hp	16	10	60	1,6



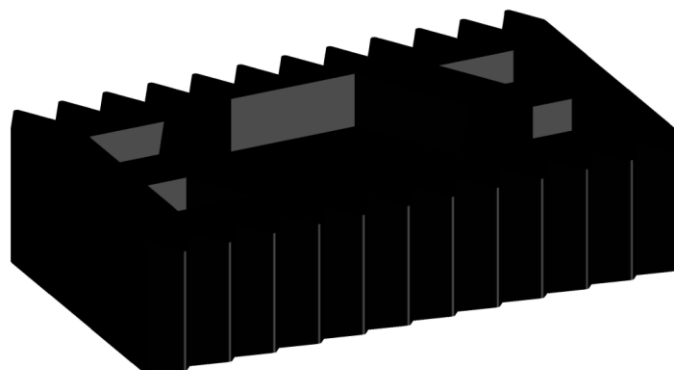
Serie 700 hp

Fork

Screw stoppage



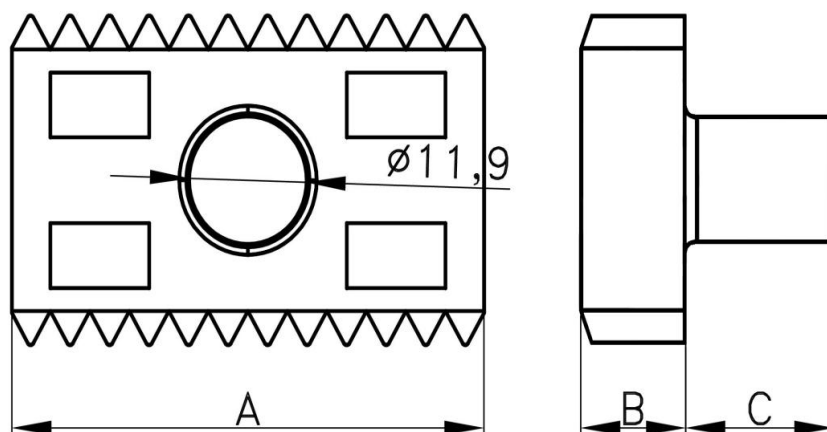
Code	A mm	B mm	C mm
741.001 hp	19,4	47,8	10,7



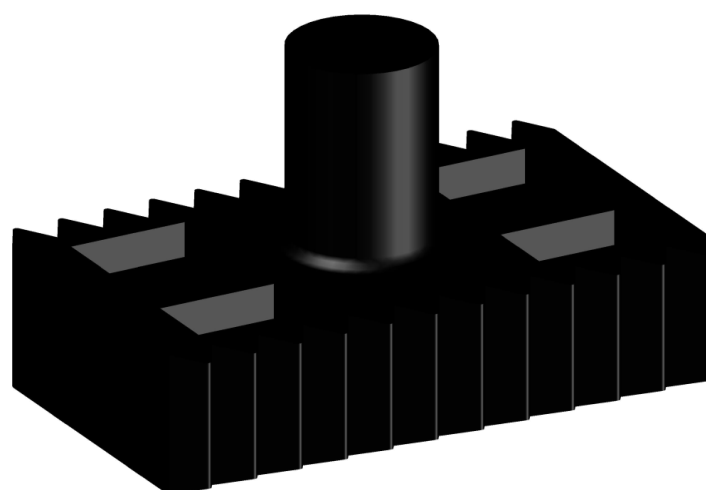
Stake



CGSPLAST
WE SUPPORT TECHNOLOGY



Code	A mm	B mm	C mm
751.000 hp	47,8	10,7	15



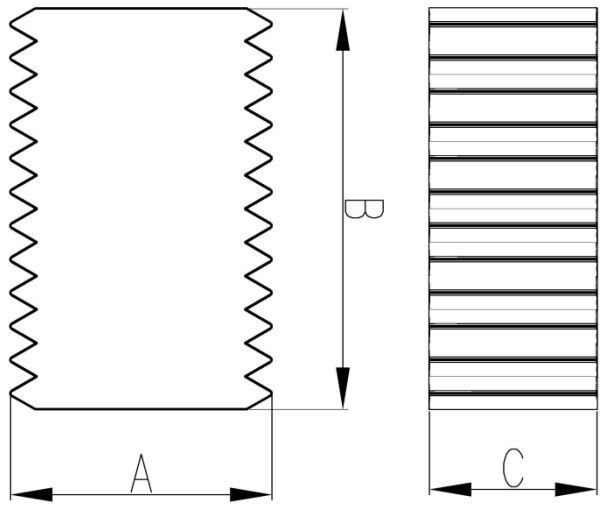
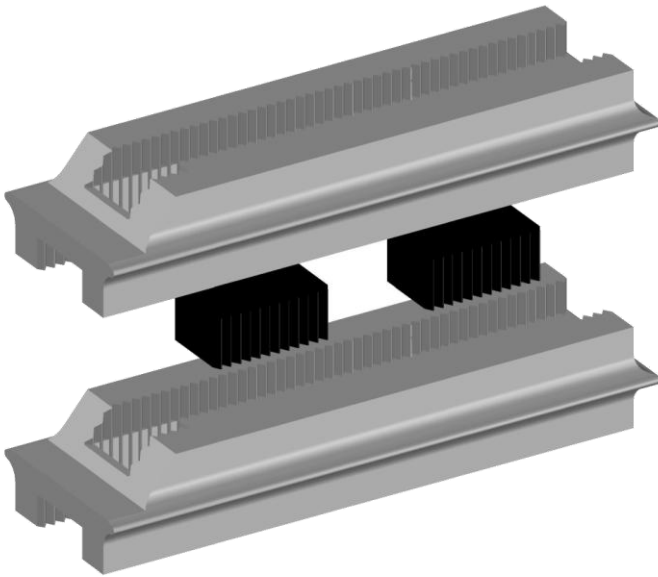
Serie 700 hp

Stake

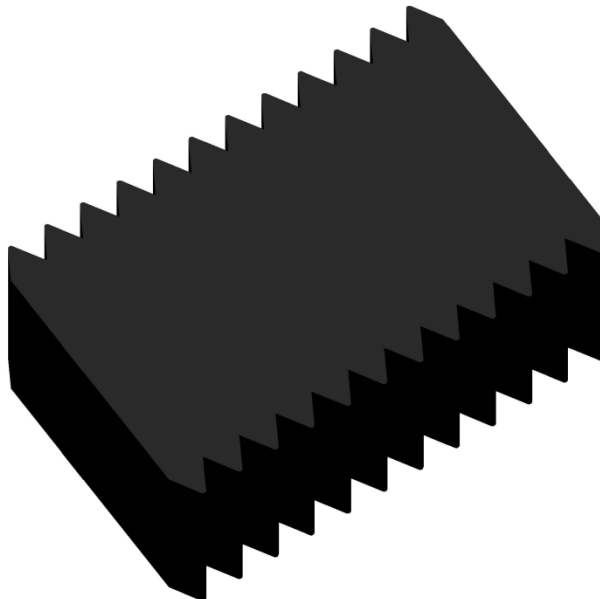
Join



CGSPLAST
WE SUPPORT TECHNOLOGY

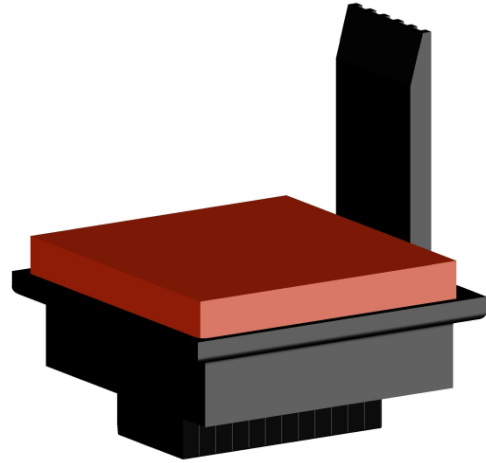
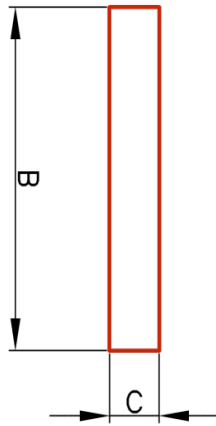
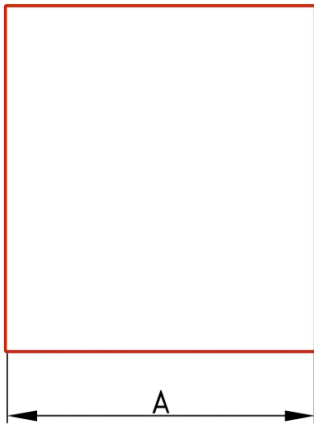


Code	A mm	B mm	C mm
781.000 hp	31,2	47,8	20



Serie 700 hp
Join

Silicon shock absorber for crown with palette

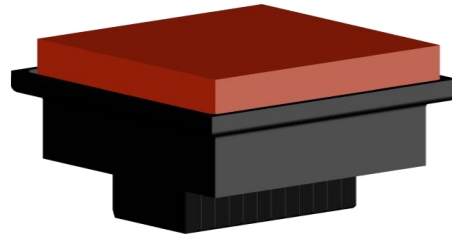
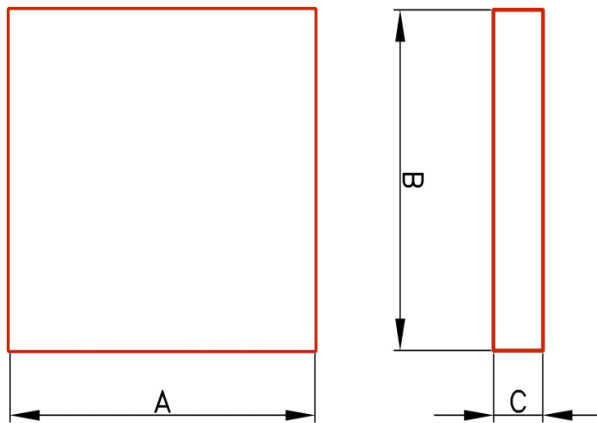


Code	A mm	B mm	C mm	Material	Color
733.005	62	64	5	SILICON	RED
733.010	62	64	10	SILICON	RED
733.015	62	64	15	SILICON	RED
733.020	62	64	20	SILICON	RED
733.705	75	64	5	SILICON	RED
733.710	75	64	10	SILICON	RED
733.715	75	64	15	SILICON	RED
733.720	75	64	20	SILICON	RED
733.105	97	64	5	SILICON	RED
733.110	97	64	10	SILICON	RED
733.115	97	64	15	SILICON	RED
733.120	97	64	20	SILICON	RED



CGSPLAST
WE SUPPORT TECHNOLOGY

Silicon shock absorber for crown without palette



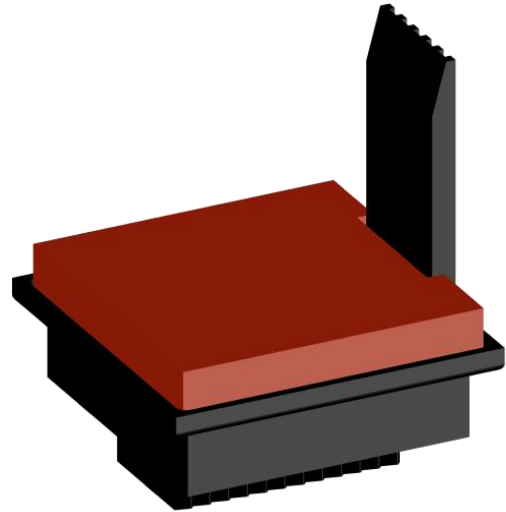
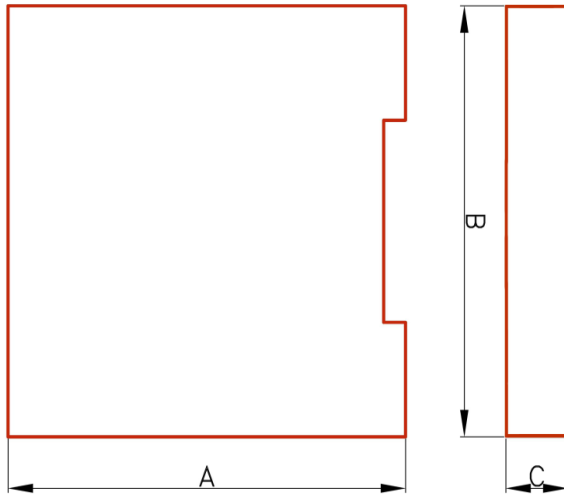
Code	A mm	B mm	C mm	Material	Color
733.405	39	64	5	SILICON	RED
733.410	39	64	10	SILICON	RED
733.415	39	64	15	SILICON	RED
733.420	39	64	20	SILICON	RED
734.005	64	64	5	SILICON	RED
734.010	64	64	10	SILICON	RED
734.015	64	64	15	SILICON	RED
734.020	64	64	20	SILICON	RED
733.905	84	64	5	SILICON	RED
733.910	84	64	10	SILICON	RED
733.915	84	64	15	SILICON	RED
733.920	84	64	20	SILICON	RED
734.105	104	64	5	SILICON	RED
734.110	104	64	10	SILICON	RED
734.115	104	64	15	SILICON	RED
734.120	104	64	20	SILICON	RED

Serie 700 hp
Silicon shock absorber



CGSPLAST
WE SUPPORT TECHNOLOGY

Silicon shock absorber for crown with cavity

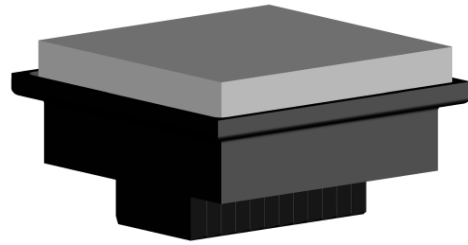
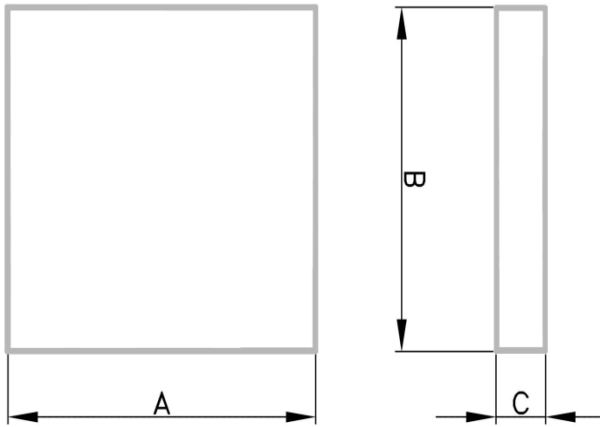


Code	A mm	B mm	C mm	Material	Color
737.005	64	64	5	SILICON	RED
737.010	64	64	10	SILICON	RED
737.015	64	64	15	SILICON	RED
737.020	64	64	20	SILICON	RED
737.905	84	64	5	SILICON	RED
737.910	84	64	10	SILICON	RED
737.915	84	64	15	SILICON	RED
737.920	84	64	20	SILICON	RED
737.105	104	64	5	SILICON	RED
737.110	104	64	10	SILICON	RED
737.115	104	64	15	SILICON	RED
737.120	104	64	20	SILICON	RED

Serie 700 hp

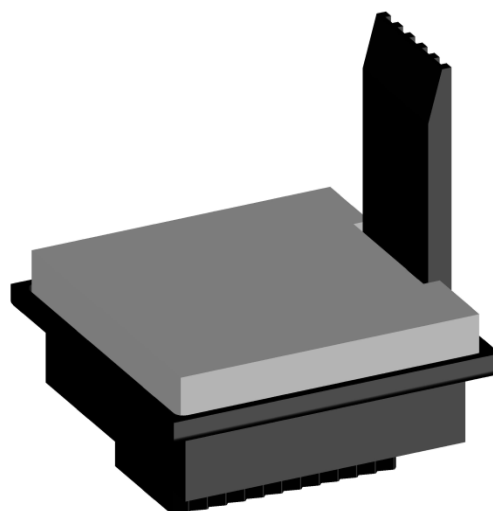
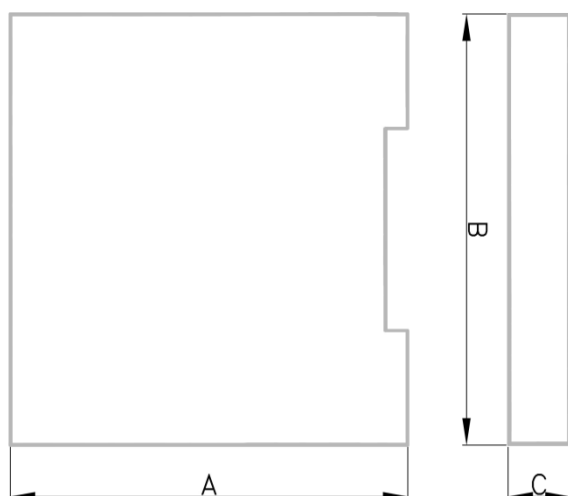
Silicon shock absorber

EPDM shock absorber for crown without palette



Code	A mm	B mm	C mm	Material	Color
735.405	39	64	5	EPDM	GRAY
735.410	39	64	10	EPDM	GRAY
735.415	39	64	15	EPDM	GRAY
735.420	39	64	20	EPDM	GRAY
735.005	64	64	5	EPDM	GRAY
735.010	64	64	10	EPDM	GRAY
735.015	64	64	15	EPDM	GRAY
735.020	64	64	20	EPDM	GRAY
735.905	84	64	5	EPDM	GRAY
735.910	84	64	10	EPDM	GRAY
735.915	84	64	15	EPDM	GRAY
735.920	84	64	20	EPDM	GRAY
735.105	104	64	5	EPDM	GRAY
735.110	104	64	10	EPDM	GRAY
735.215	104	64	15	EPDM	GRAY
735.220	104	64	20	EPDM	GRAY

EPDM shock absorber with cavity



Code	A mm	B mm	C mm	Material	Color
736.005	64	64	5	EPDM	GRAY
736.010	64	64	10	EPDM	GRAY
736.015	64	64	15	EPDM	GRAY
736.020	64	64	20	EPDM	GRAY
736.905	84	64	5	EPDM	GRAY
736.910	84	64	10	EPDM	GRAY
736.915	84	64	15	EPDM	GRAY
736.920	84	64	20	EPDM	GRAY
736.105	104	64	5	EPDM	GRAY
736.110	104	64	10	EPDM	GRAY
736.215	104	64	15	EPDM	GRAY
736.220	104	64	20	EPDM	GRAY



CGSPLAST

WE SUPPORT TECHNOLOGY

Strada Longa 809, n° 8
26815 Massalengo (LO)
Italy

Phone: +39 0371 070025

Fax: +39 0371 070026

info@cgsplast.com

www.cgsplast.com

