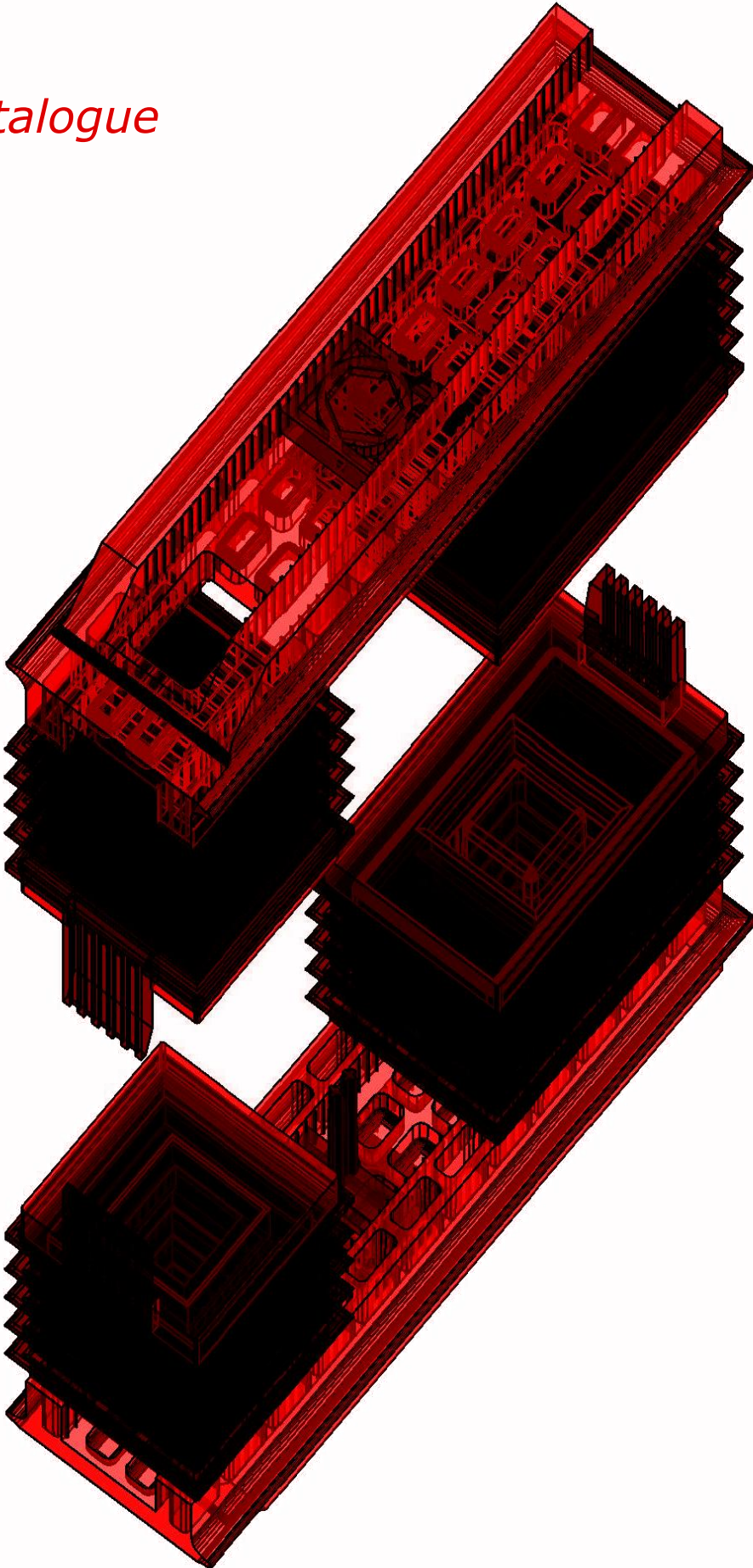
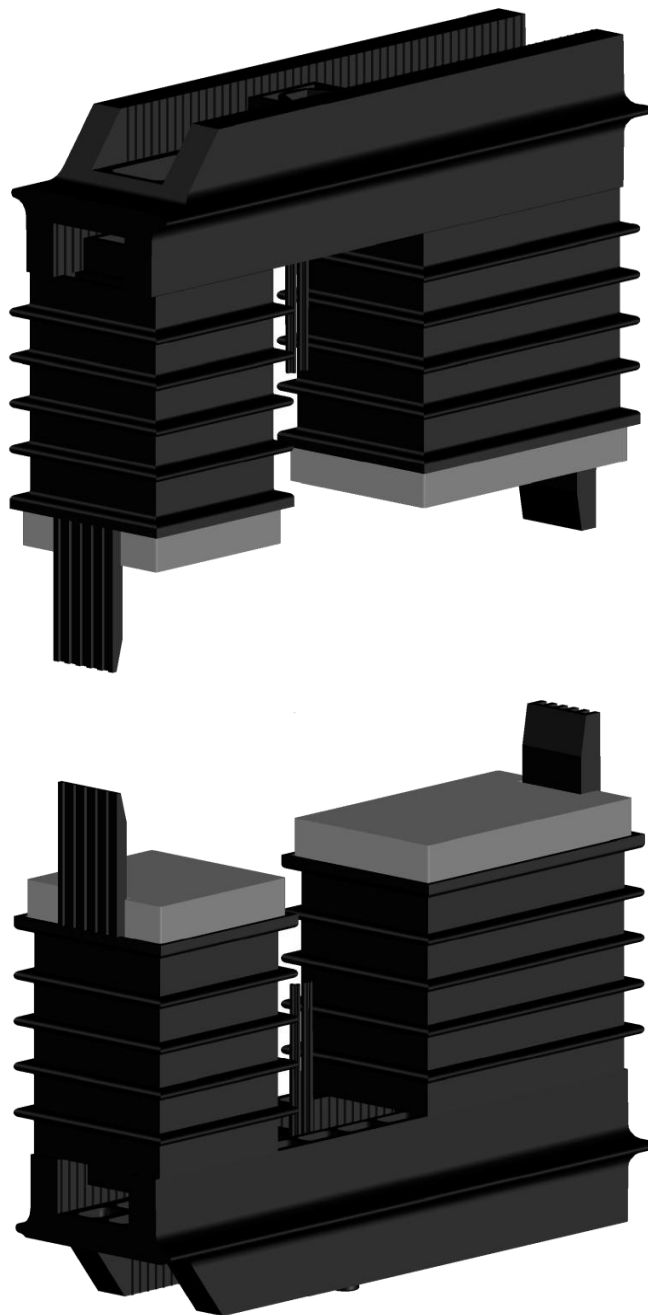


# Catalogue



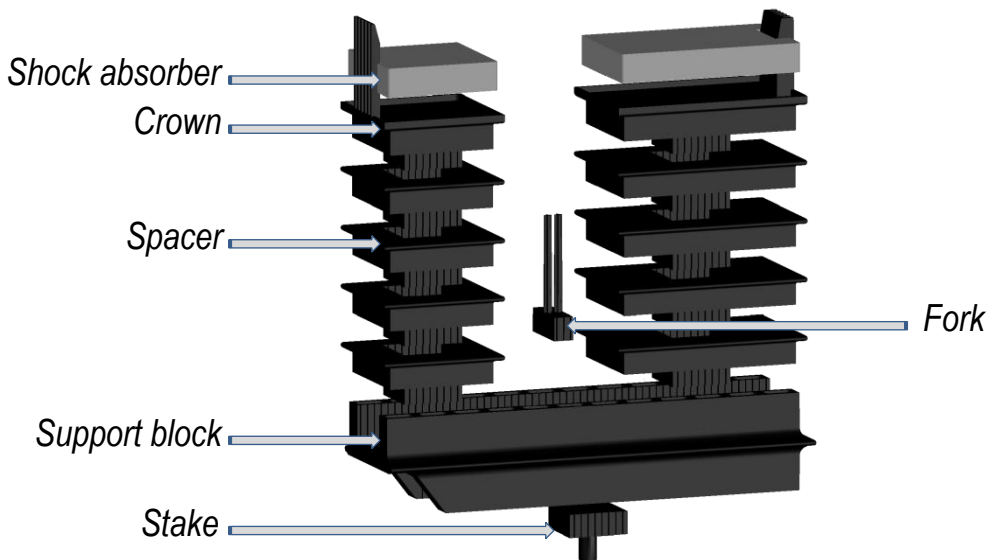
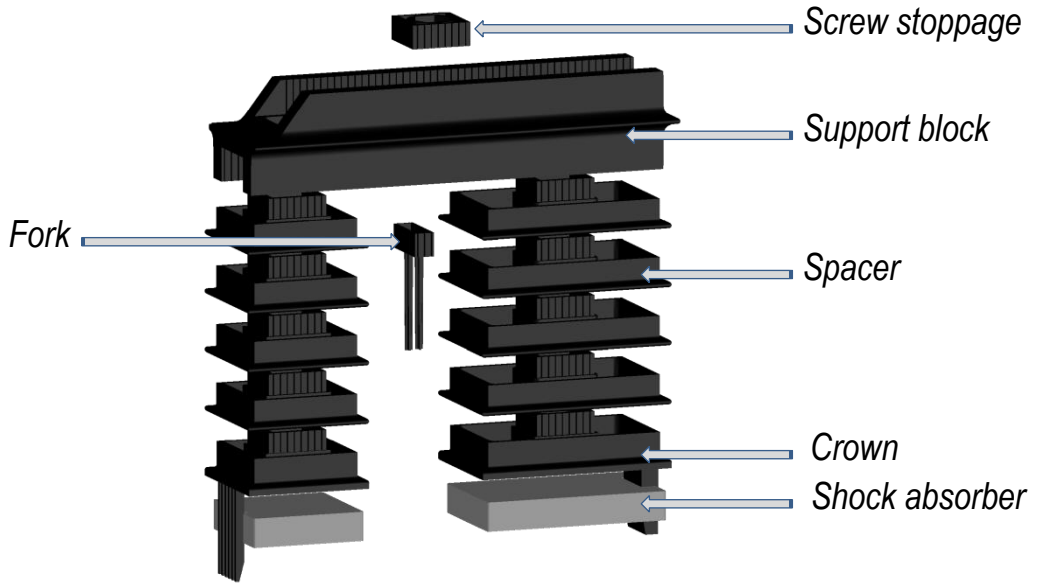
Serie 700  
Catalogue

## Introduction



Coil fixing system for cast resin power transformers up to 10 MVA.  
Versatile and modular with polymer molded parts 50% glass fibres reinforced and heat deflection temperature (HDT) of 210°C  
Possibility to extend this system up to 16 MVA upon consultation with our technical Dept.  
In close cooperation with the customer C.G.S. PLAST can develop the new solutions.

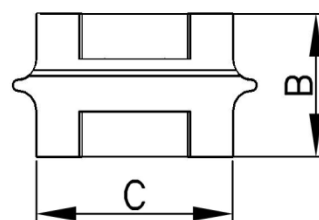
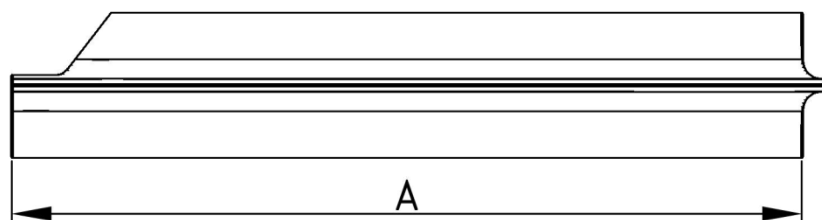
# Components



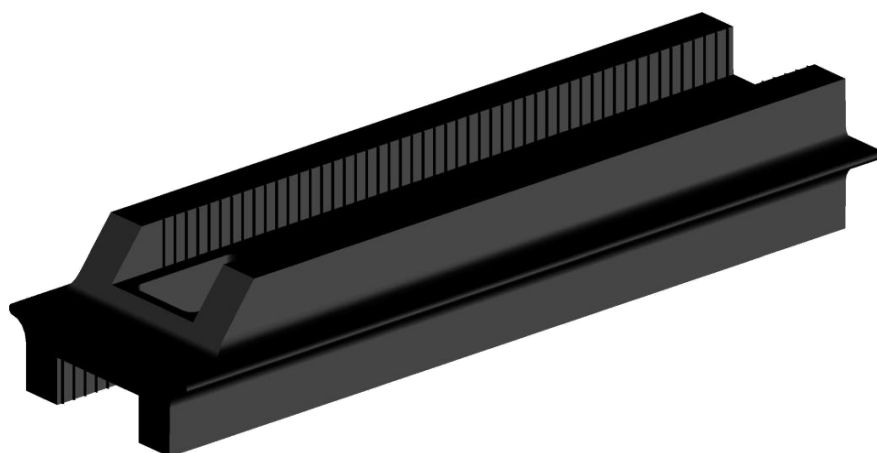
## Support block



**CGSPLAST**  
WE SUPPORT TECHNOLOGY



Code	A mm	B mm	C mm
702.140	140	40	60
702.160	160	40	60
702.180	180	40	60
702.200	200	40	60
702.220	220	40	60
702.240	240	40	60
702.260	260	40	60
702.280	280	40	60



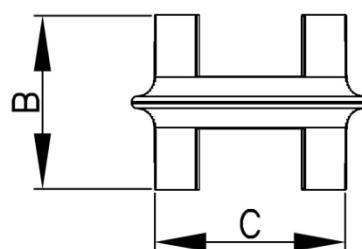
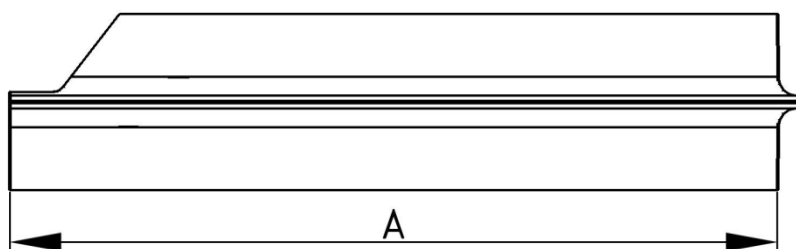
Serie 700

Support block h 40 mm

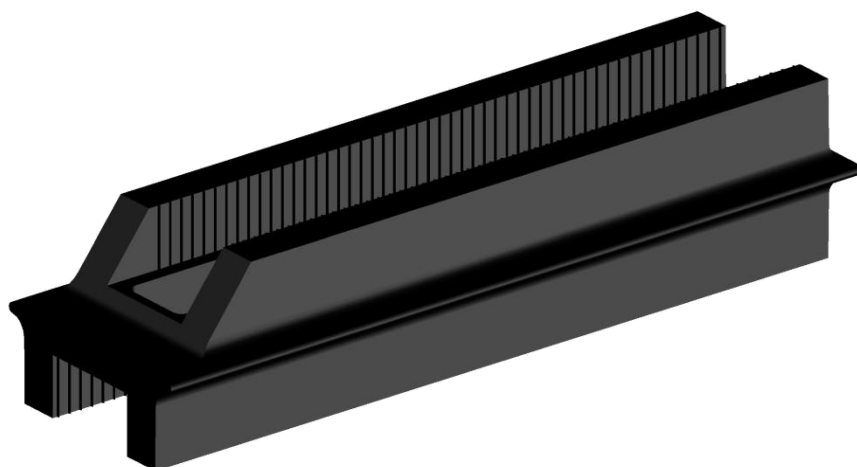
## Support block



**CGSPLAST**  
WE SUPPORT TECHNOLOGY



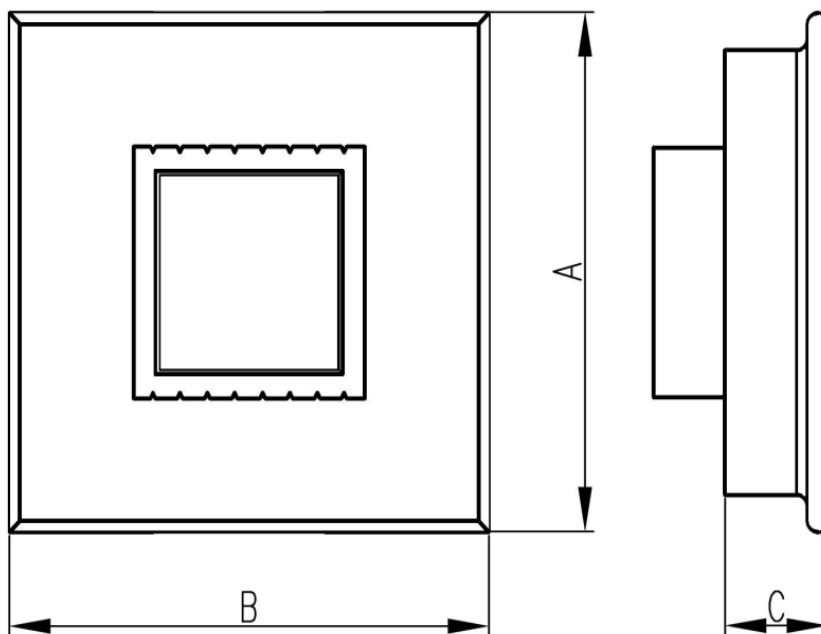
Code	A mm	B mm	C mm
701.140	140	50	60
701.160	160	50	60
701.180	180	50	60
701.200	200	50	60
701.220	220	50	60
701.240	240	50	60
701.260	260	50	60
701.280	280	50	60



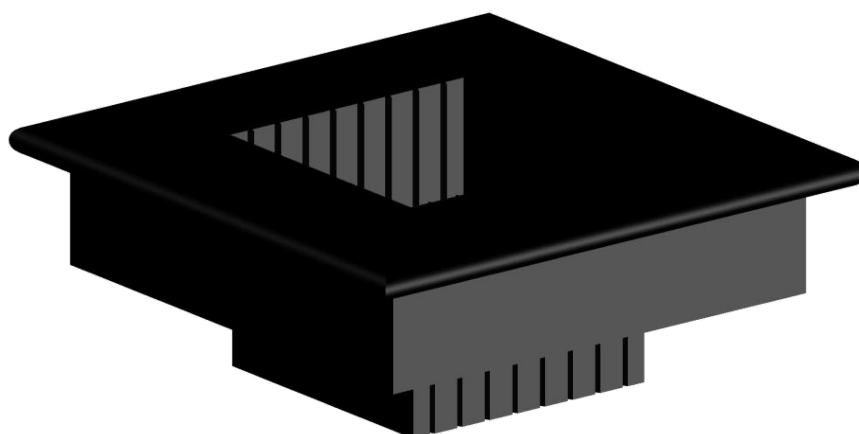
**Serie 700**

**Support block h 50 mm**

# Spacer



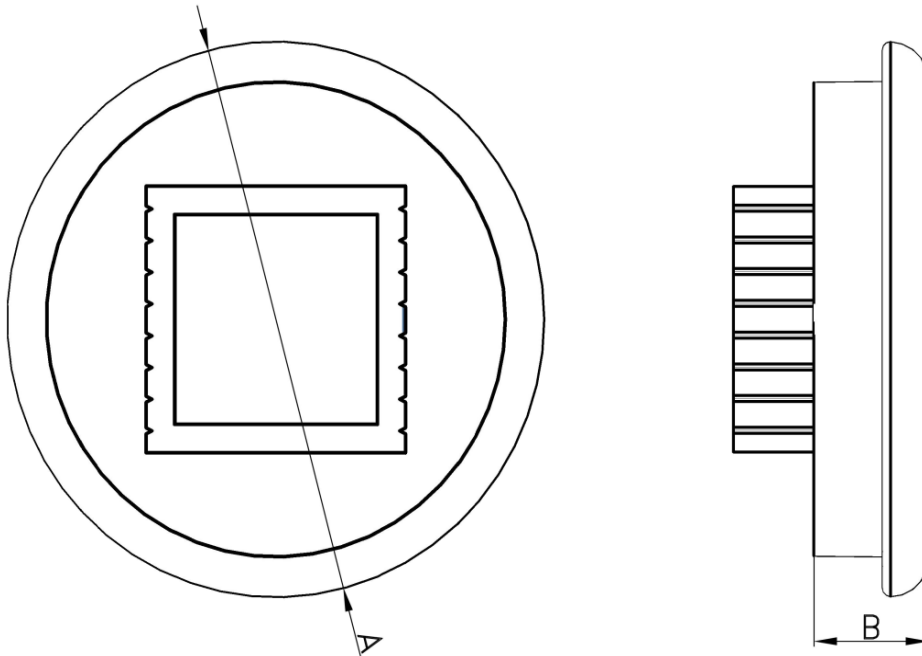
Code	A mm	B mm	C mm
711.015	70	70	15
711.110	70	110	15



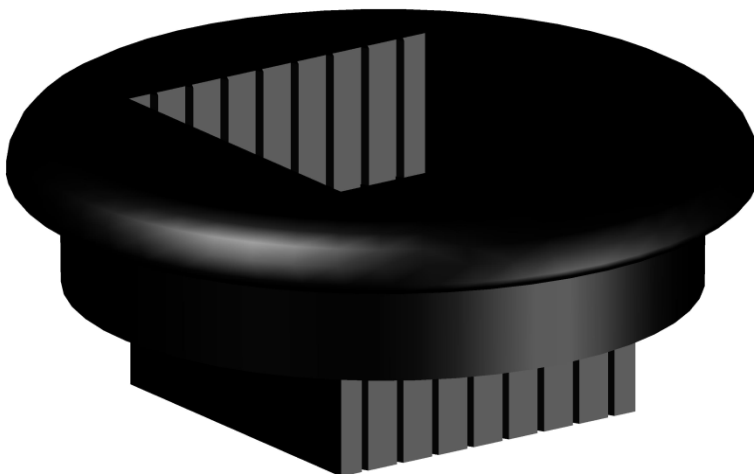


**CGSPLAST**  
WE SUPPORT TECHNOLOGY

*Spacer diameter 70 mm*



Code	A mm	B mm
712.015	70	15



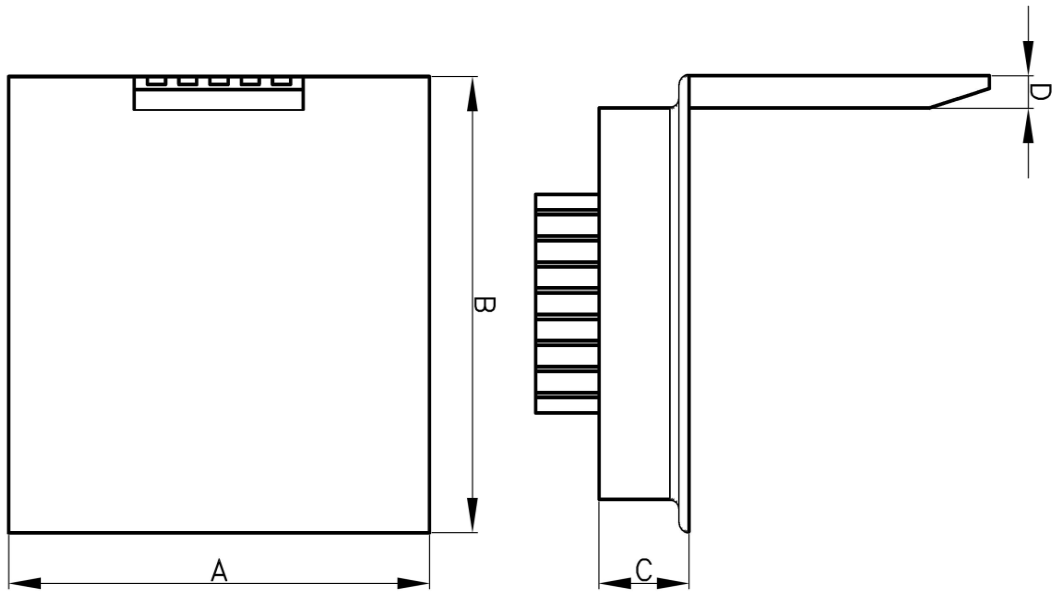
**Serie 700**

**Spacer diameter 70 mm**

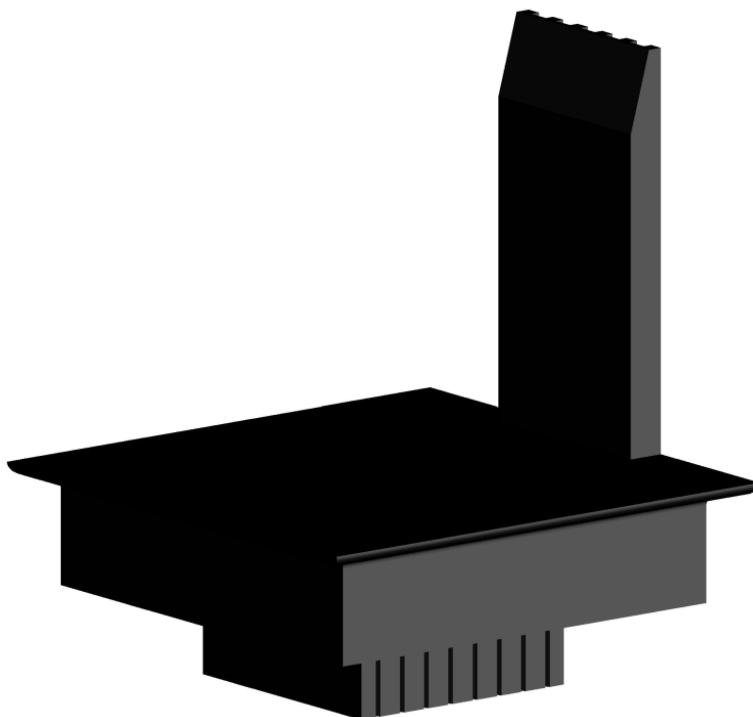
*Crown with palette*



**CGSPLAST**  
WE SUPPORT TECHNOLOGY



Code	A mm	B mm	C mm	D mm
721.015	70	70	15	5
721.110	70	110	15	10



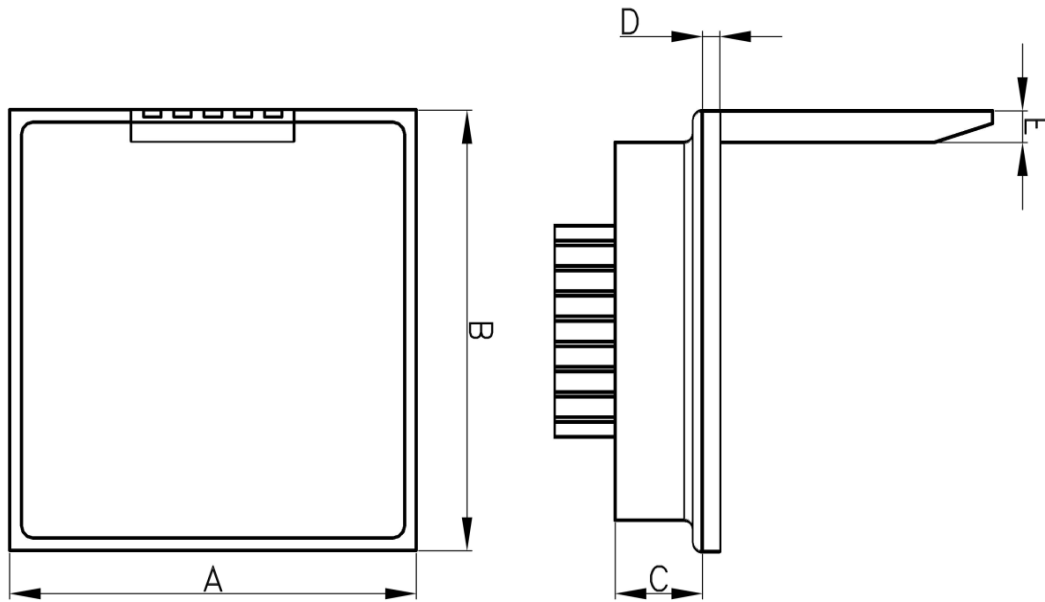
**Serie 700**

**Crown with palette**

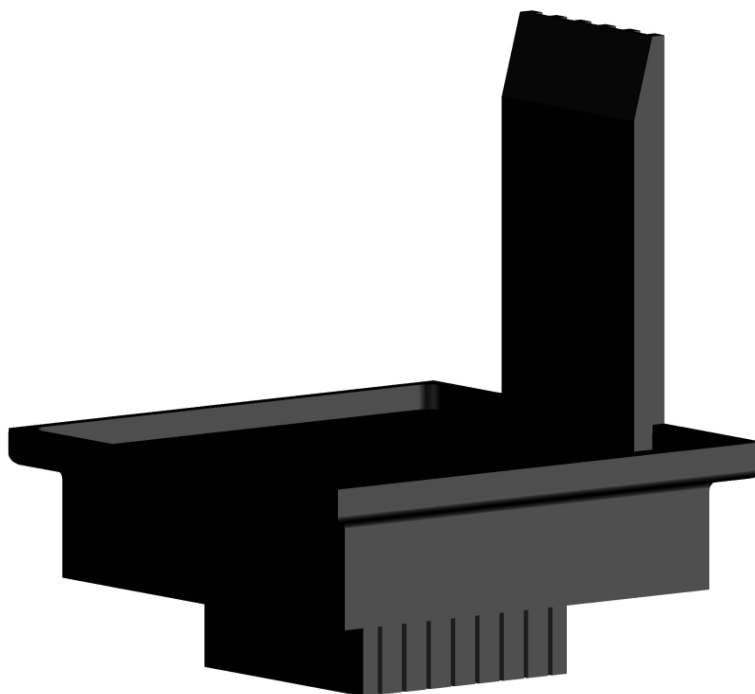


**CGSPLAST**  
WE SUPPORT TECHNOLOGY

*Crown with palette and edge*



Code	A mm	B mm	C mm	D mm	E mm
724.015	70	70	15	3	5
724.110	70	110	15	3	10



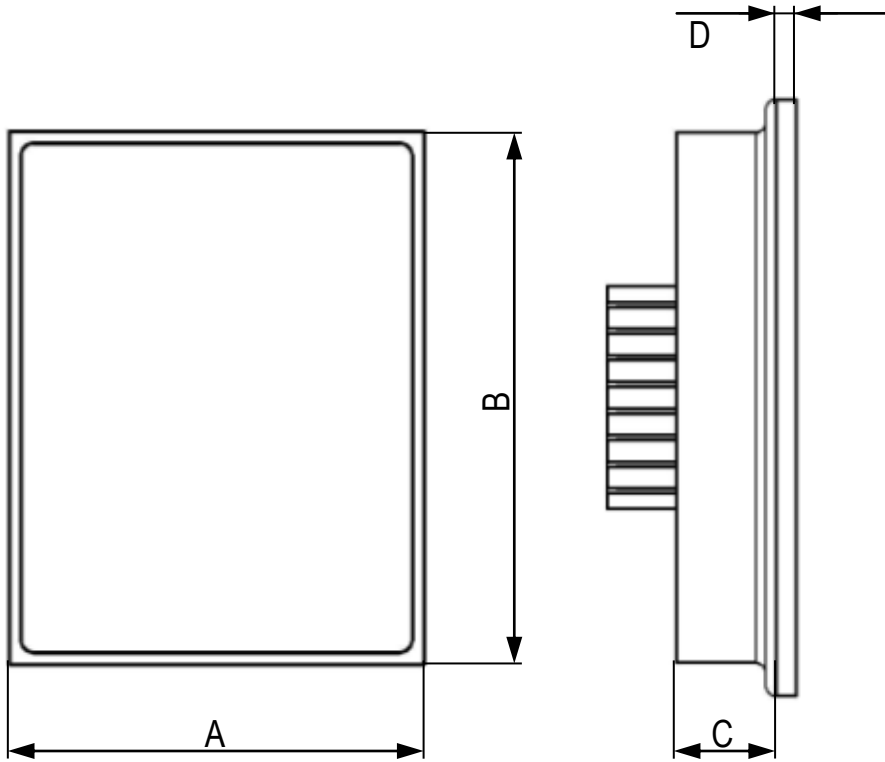
**Serie 700**

**Crown with palette and edge**



**CGSPLAST**  
WE SUPPORT TECHNOLOGY

## Supporti di centraggio senza paletta



Codice	A mm	B mm	C mm	D mm
722.015	70	70	15	3
722.090	70	90	15	3
722.110	70	110	15	3

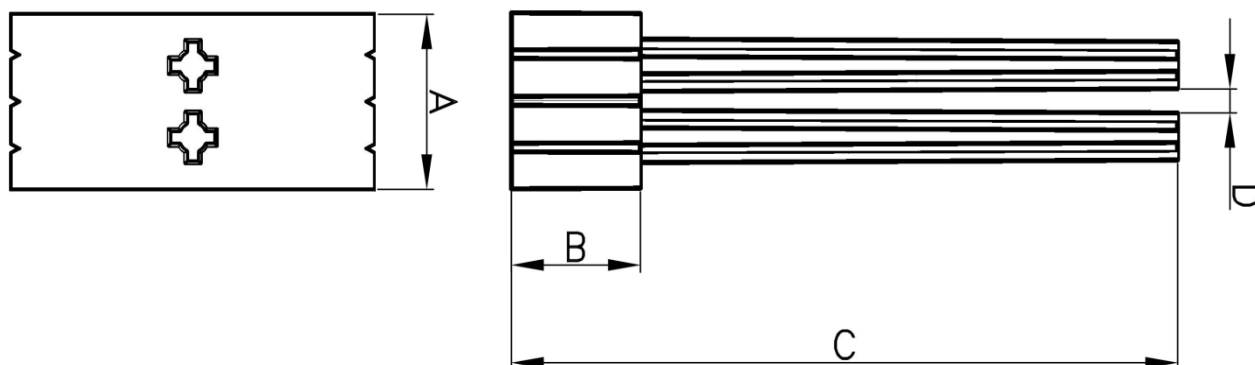
**Serie 700**

**Supporto di centraggio senza paletta**

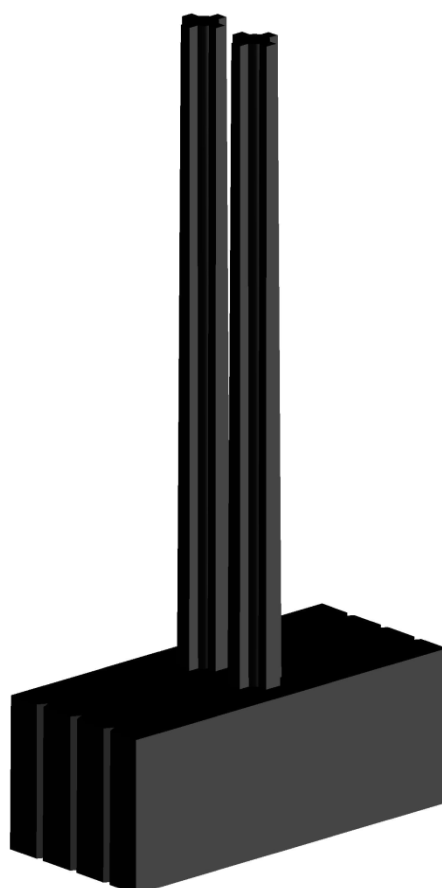
Fork



**CGSPLAST**  
WE SUPPORT TECHNOLOGY



Code	A mm	B mm	C mm	D mm
771.000	15,1	12	62	1,6



Serie 700

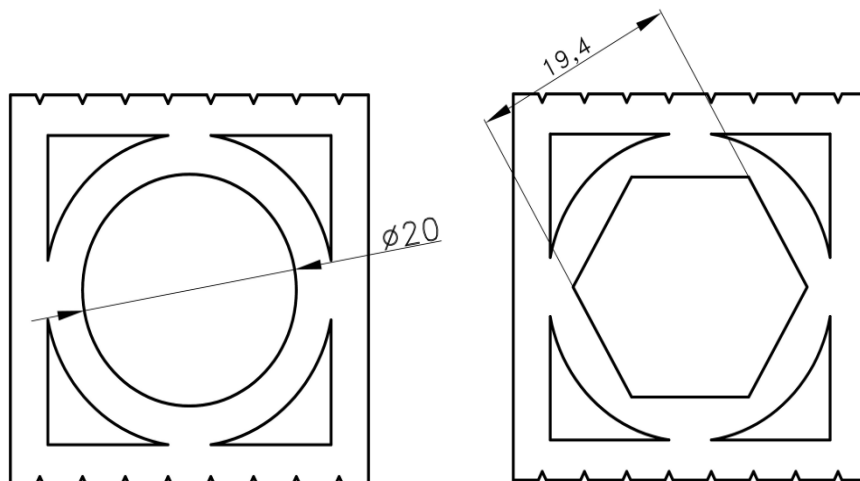
Fork

## Screw stoppage

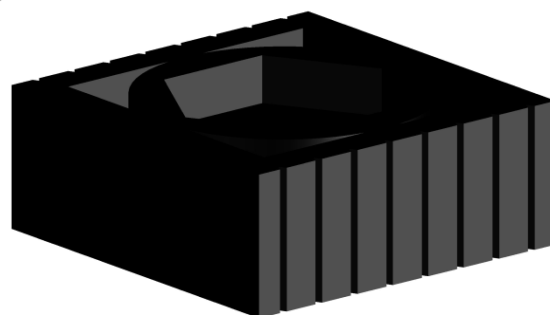
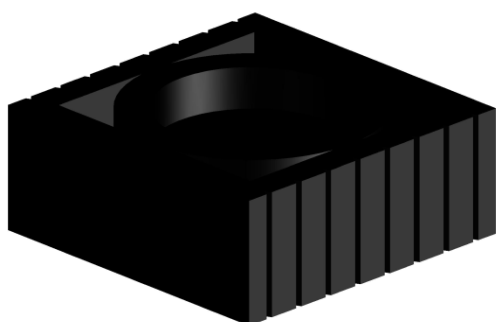


**CGSPLAST**

WE SUPPORT TECHNOLOGY



Code	Version	Height mm
741.000	Circle	12
741.001	Hexagon	12
741.002	Circle	17



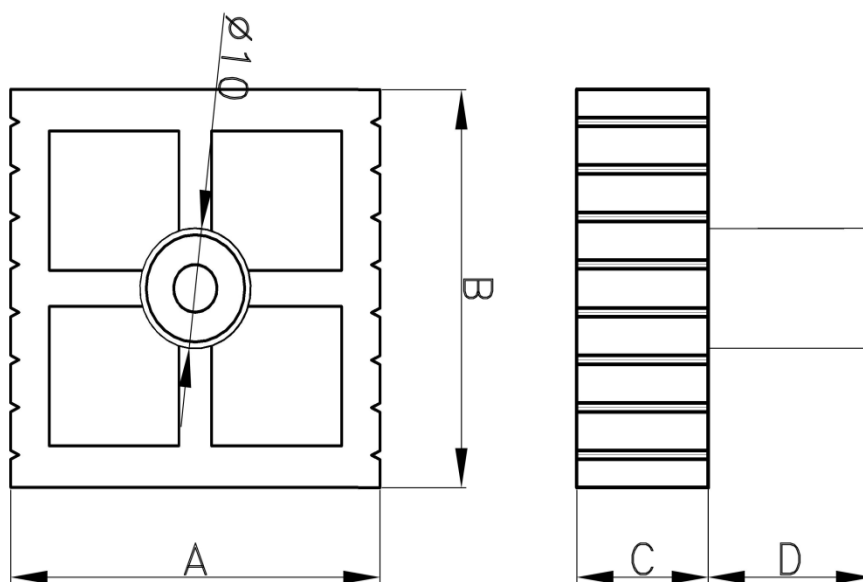
Serie 700

Screw stoppage

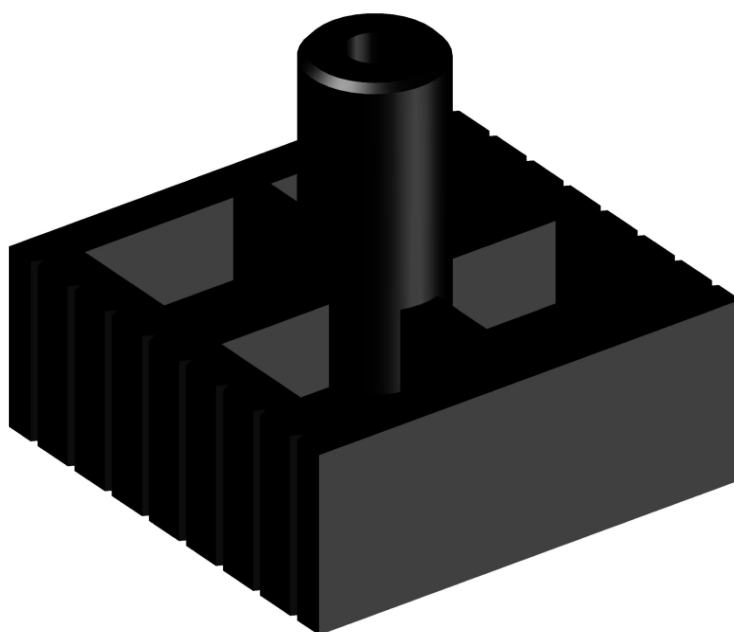
# Stake



**CGSPLAST**  
WE SUPPORT TECHNOLOGY



Code	A mm	B mm	C mm	D mm
751.000	33,7	33,5	12	15



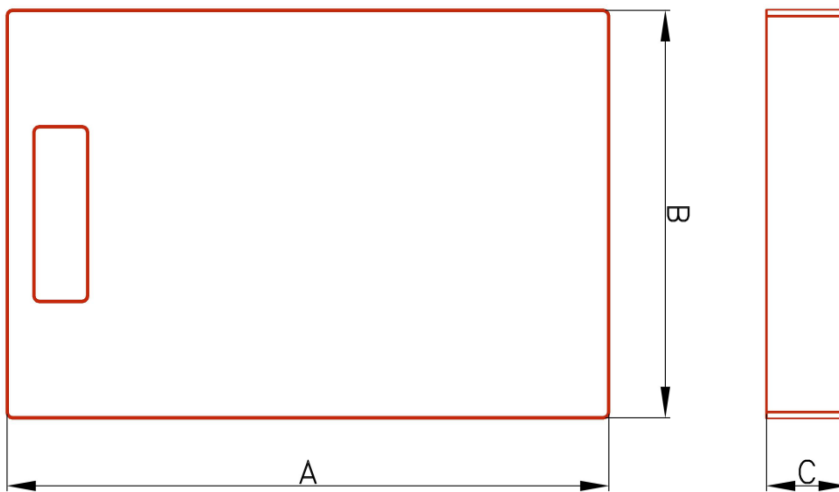
Serie 700

Stake

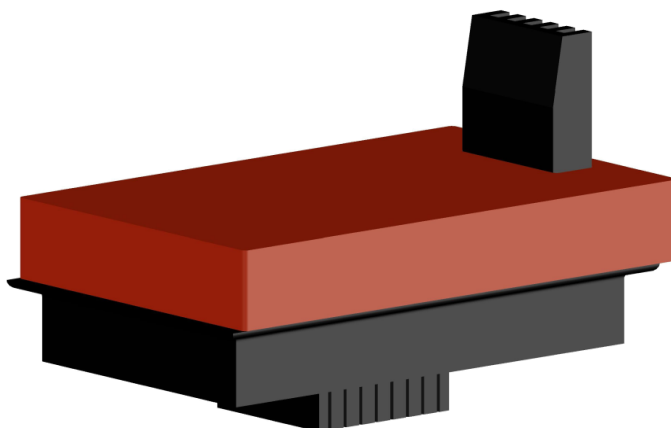


**CGSPLAST**  
WE SUPPORT TECHNOLOGY

## Silicon shock absorber with eyelet



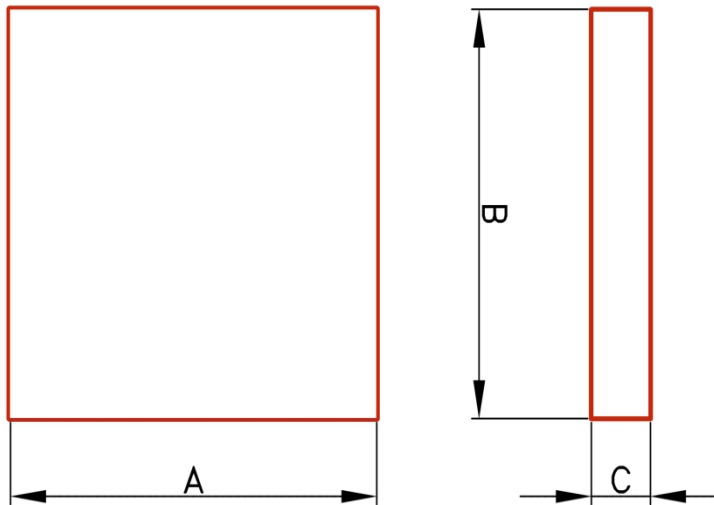
Code	A mm	B mm	C mm	Material	Color
730.005	75	70	5	SILICON	RED
730.010	75	70	10	SILICON	RED
730.015	75	70	15	SILICON	RED
730.020	75	70	20	SILICON	RED
730.110	112	70	10	SILICON	RED
730.115	112	70	5	SILICON	RED
730.215	112	70	15	SILICON	RED
730.220	112	70	20	SILICON	RED



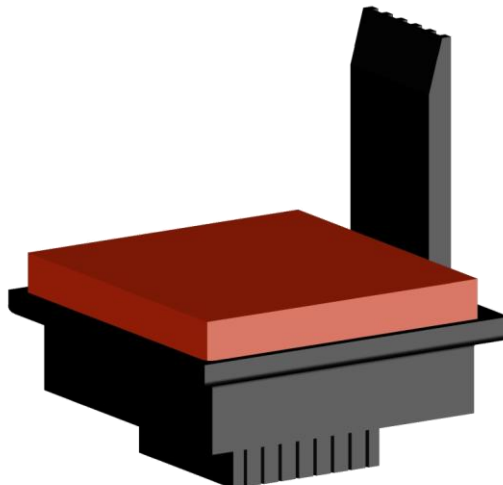
**Serie 700**

**Silicon shock absorber with eyelet**

## Silicon shock absorber



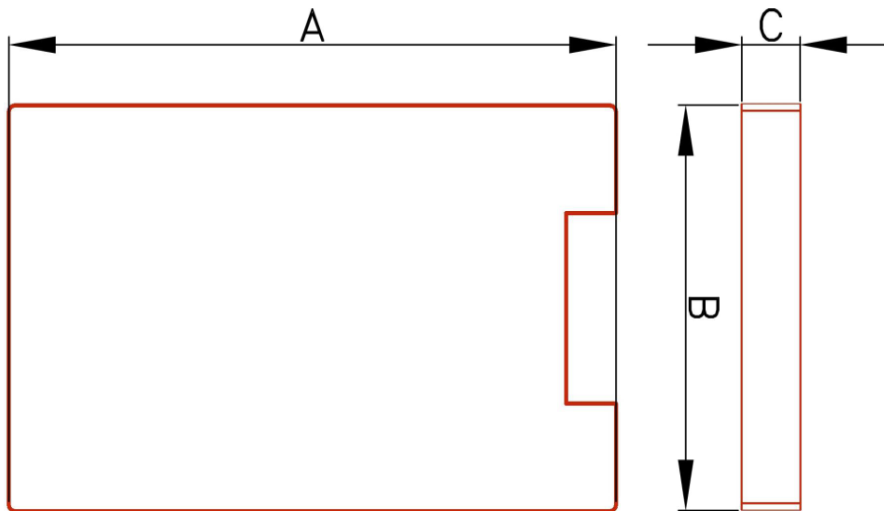
Code	A mm	B mm	C mm	Material	Color
733.005	62	64	5	SILICON	RED
733.010	62	64	10	SILICON	RED
733.015	62	64	15	SILICON	RED
733.020	62	64	20	SILICON	RED
733.105	97	64	5	SILICON	RED
733.110	97	64	10	SILICON	RED
733.115	97	64	15	SILICON	RED
733.120	97	64	20	SILICON	RED



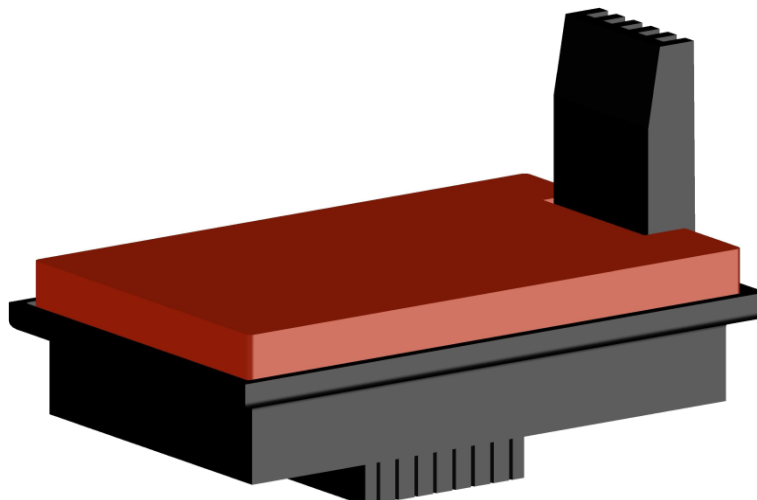


**CGSPLAST**  
WE SUPPORT TECHNOLOGY

## Silicon shock absorber with cavity



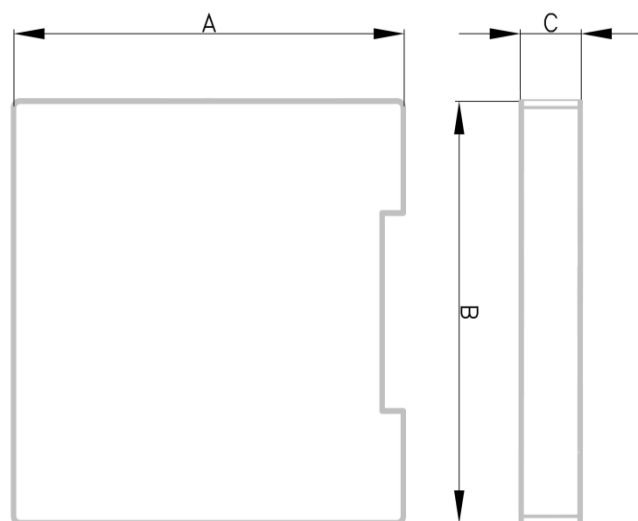
Code	A mm	B mm	C mm	Material	Color
737.005	64	64	5	SILICON	RED
737.010	64	64	10	SILICON	RED
737.015	64	64	15	SILICON	RED
737.020	64	64	20	SILICON	RED
737.105	104	64	5	SILICON	RED
737.110	104	64	10	SILICON	RED
737.115	104	64	15	SILICON	RED
737.120	104	64	20	SILICON	RED



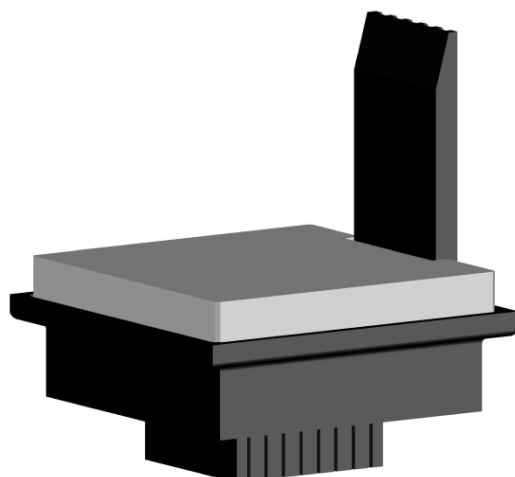
**Serie 700**

**Silicon shock absorber with cavity**

## EPDM shock absorber with cavity



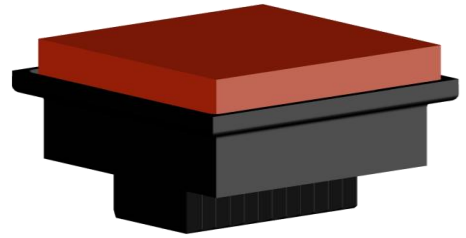
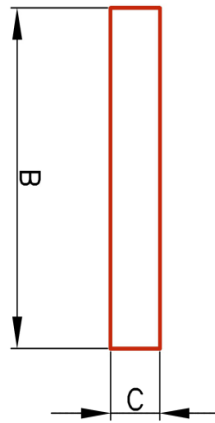
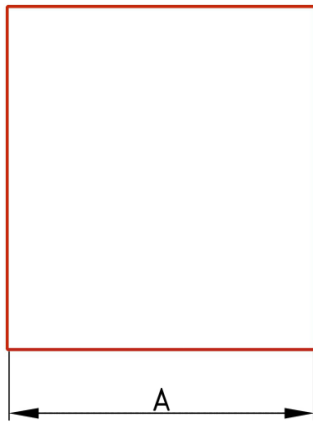
Code	A mm	B mm	C mm	Material	Color
736.005	64	64	5	EPDM	GRAY
736.010	64	64	10	EPDM	GRAY
736.015	64	64	15	EPDM	GRAY
736.020	64	64	20	EPDM	GRAY
736.105	104	64	5	EPDM	GRAY
736.110	104	64	10	EPDM	GRAY
736.115	104	64	15	EPDM	GRAY
736.120	104	64	20	EPDM	GRAY





**CGSPLAST**  
WE SUPPORT TECHNOLOGY

*Silicon shock absorber for crown without palette*



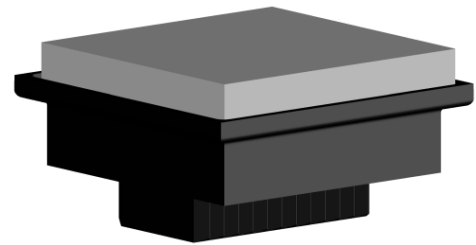
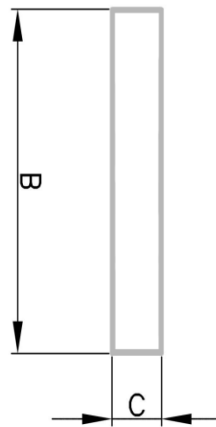
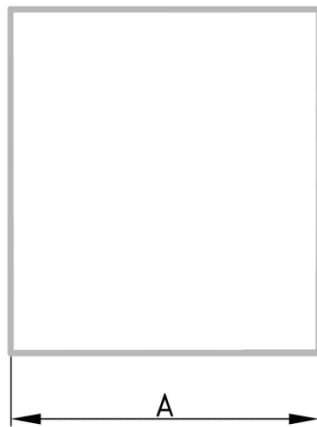
Code	A mm	B mm	C mm	Material	Color
734.005	64	64	5	SILICON	RED
734.010	64	64	10	SILICON	RED
734.015	64	64	15	SILICON	RED
734.020	64	64	20	SILICON	RED
733.905	84	64	5	SILICON	RED
733.910	84	64	10	SILICON	RED
733.915	84	64	15	SILICON	RED
733.920	84	64	20	SILICON	RED
734.105	104	64	5	SILICON	RED
734.110	104	64	10	SILICON	RED
734.115	104	64	15	SILICON	RED
734.120	104	64	20	SILICON	RED

**Silicon shock absorber**  
**Serie 700 hp**



**CGSPLAST**  
WE SUPPORT TECHNOLOGY

*EPDM shock absorber for crown without palette*



Code	A mm	B mm	C mm	Material	Color
735.005	64	64	5	EPDM	GRAY
735.010	64	64	10	EPDM	GRAY
735.015	64	64	15	EPDM	GRAY
735.020	64	64	20	EPDM	GRAY
735.905	84	64	5	EPDM	GRAY
735.910	84	64	10	EPDM	GRAY
735.915	84	64	15	EPDM	GRAY
735.920	84	64	20	EPDM	GRAY
735.105	104	64	5	EPDM	GRAY
735.110	104	64	10	EPDM	GRAY
735.215	104	64	15	EPDM	GRAY
735.220	104	64	20	EPDM	GRAY

**EPDM shock absorber Serie 700 hp**



**CGSPLAST**

WE SUPPORT TECHNOLOGY

Strada Longa 809, n° 8  
26815 Massalengo (LO)  
Italy

Phone: +39 0371 070025

Fax: +39 0371 070026

[info@cgsplast.com](mailto:info@cgsplast.com)

[www.cgsplast.com](http://www.cgsplast.com)

