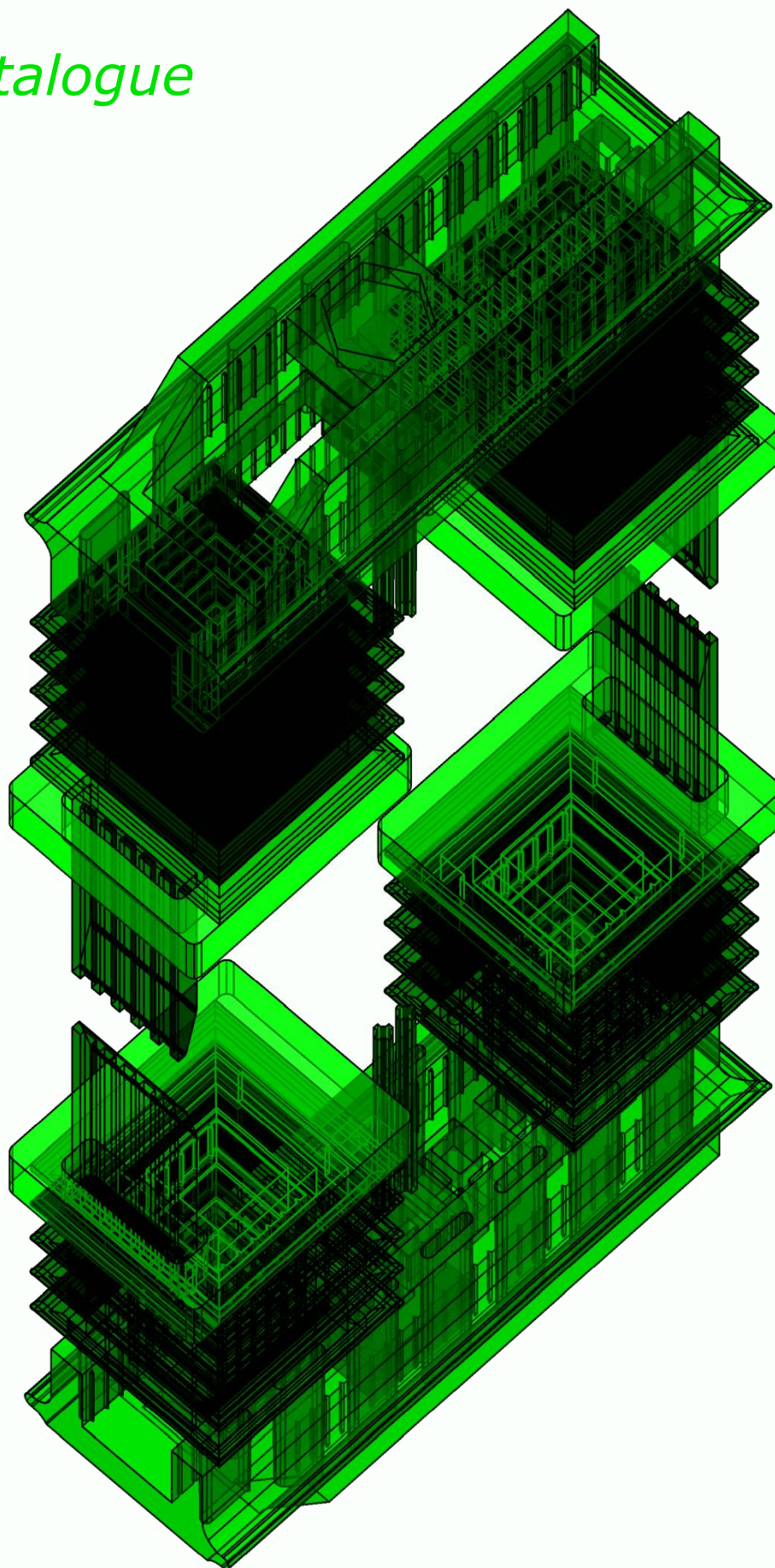


# Catalogue



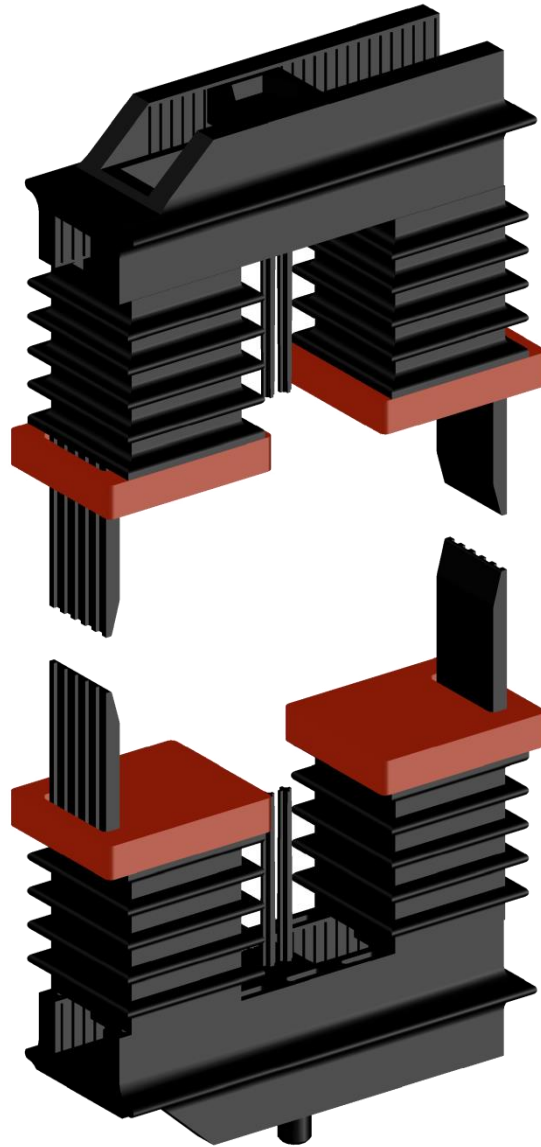
**CGSPLAST**  
WE SUPPORT TECHNOLOGY



Serie 500

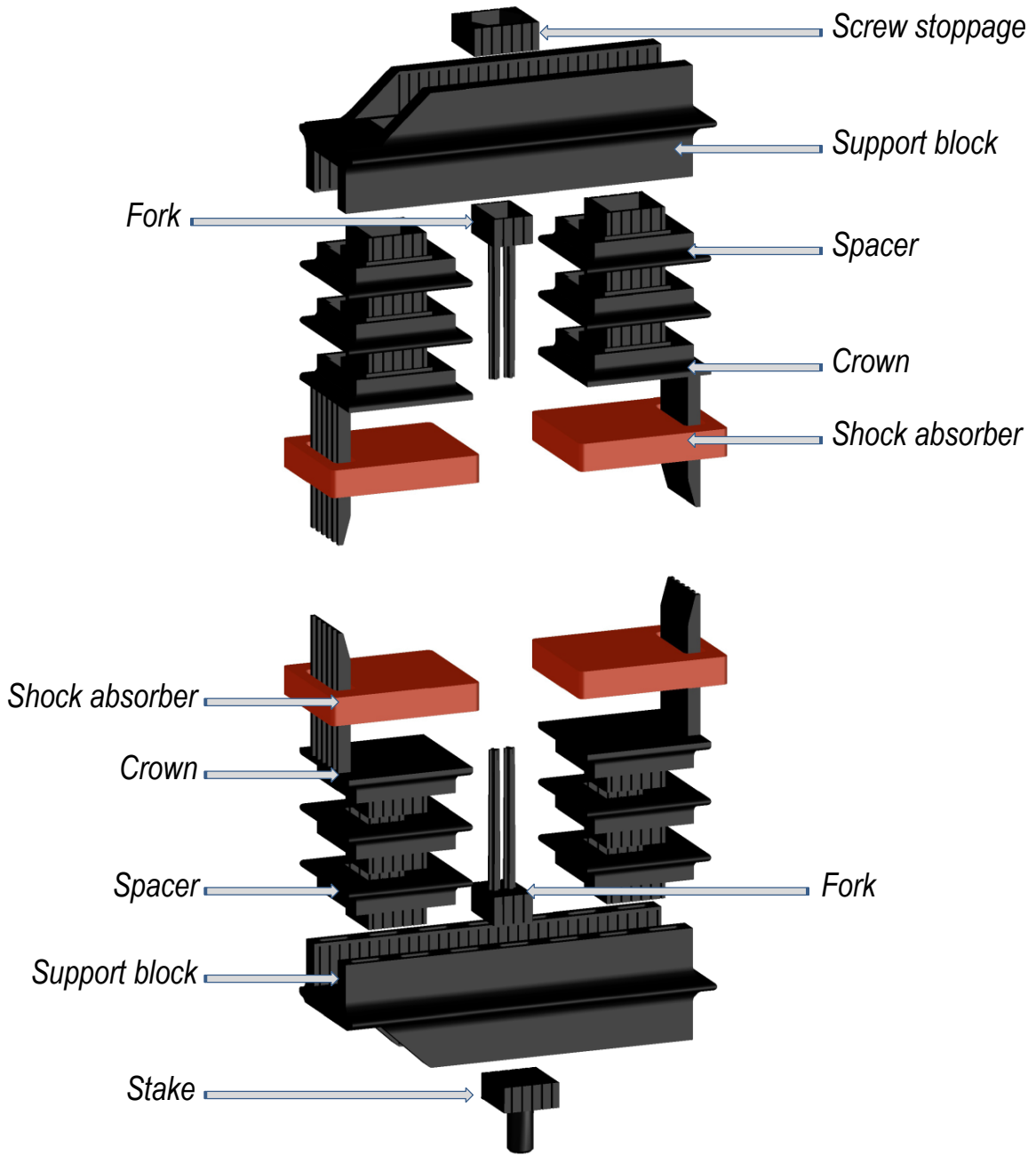
Catalogue

## Introduction



Coil fixing system for cast resin power transformers up to 1.600 kVA.  
Versatile and modular with polymer molded parts 50% glass fibres reinforced and heat deflection temperature (HDT) of 210°C  
Possibility to extend this system up to 2.500 kVA upon consultation with our technical Dept.  
In close cooperation with the customer C.G.S. PLAST can develop the new solutions.

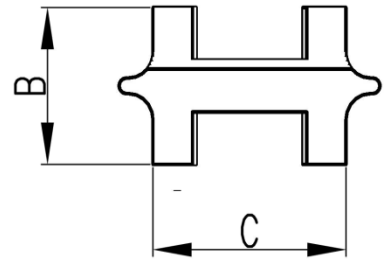
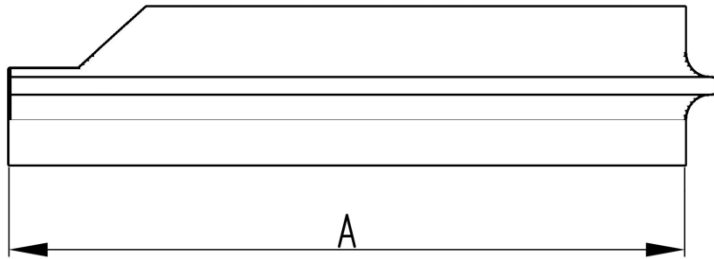
# Components



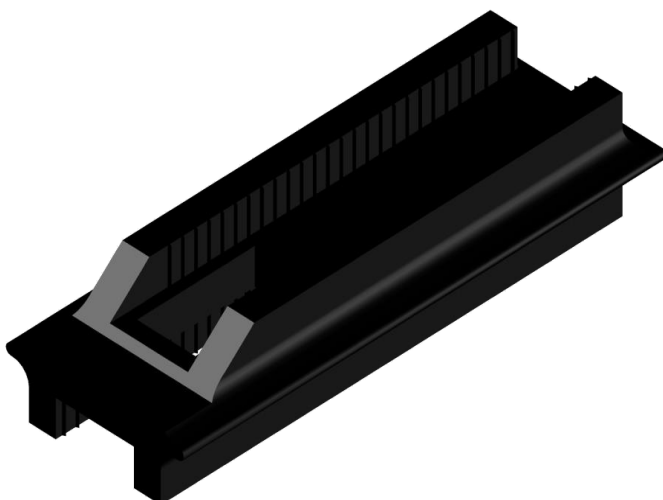
## Support block



**CGSPLAST**  
WE SUPPORT TECHNOLOGY



Code	A mm	B mm	C mm
502.100	100	30	40
502.120	120	30	40
502.140	140	30	40
502.160	160	30	40
501.100	100	40	40
501.120	120	40	40
501.140	140	40	40
501.160	160	40	40



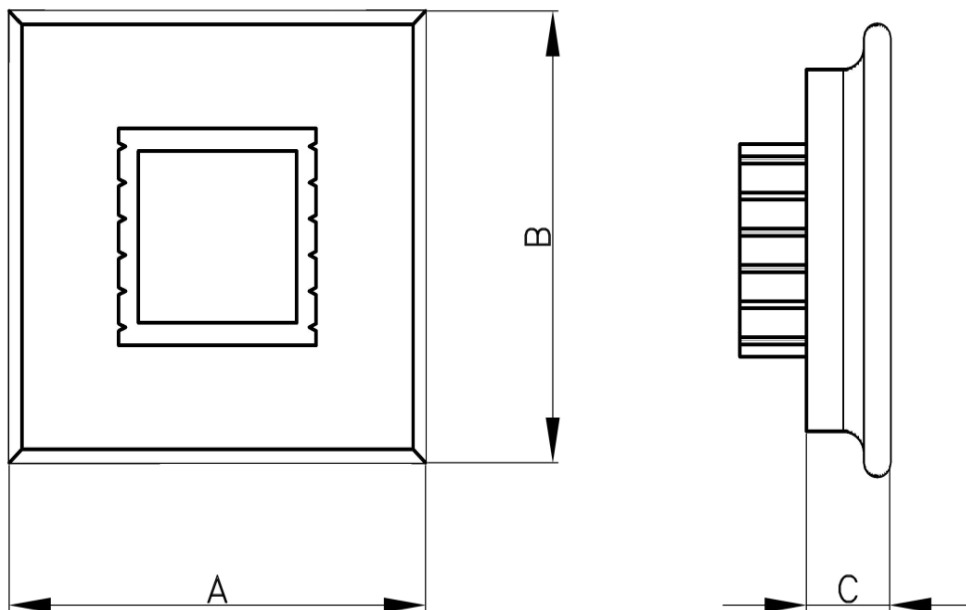
Serie 500

Support block

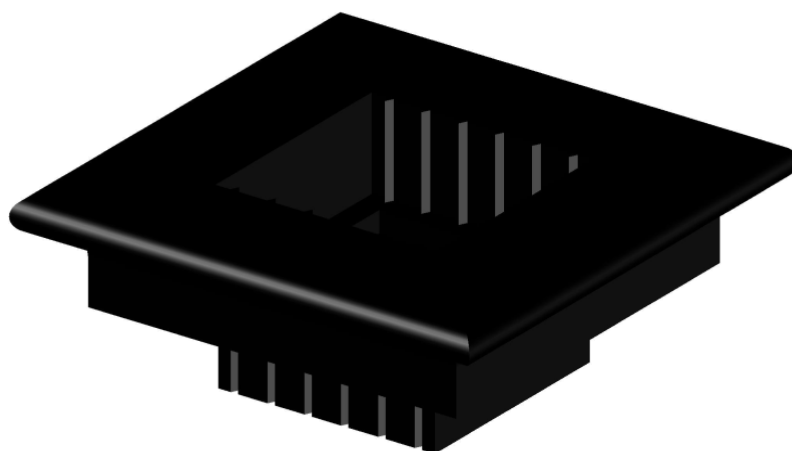
# Spacer



**CGSPLAST**  
WE SUPPORT TECHNOLOGY



Code	A mm	B mm	C mm
511.010	50	50	10
511.081	50	80	10



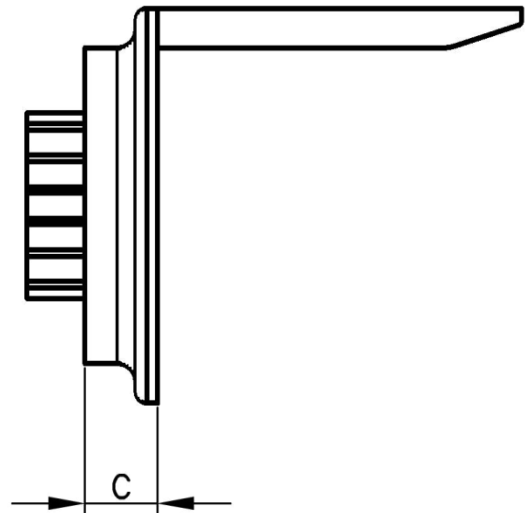
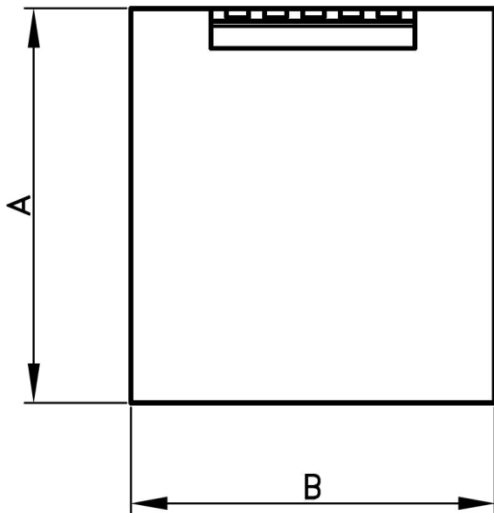
Serie 500

Spacer

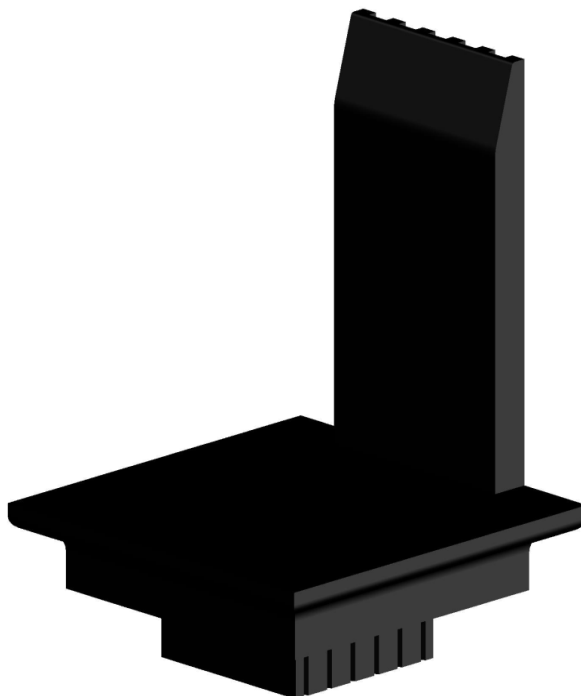


**CGSPLAST**  
WE SUPPORT TECHNOLOGY

*Crown with palette*



Code	A mm	B mm	C mm
521.010	50	50	10



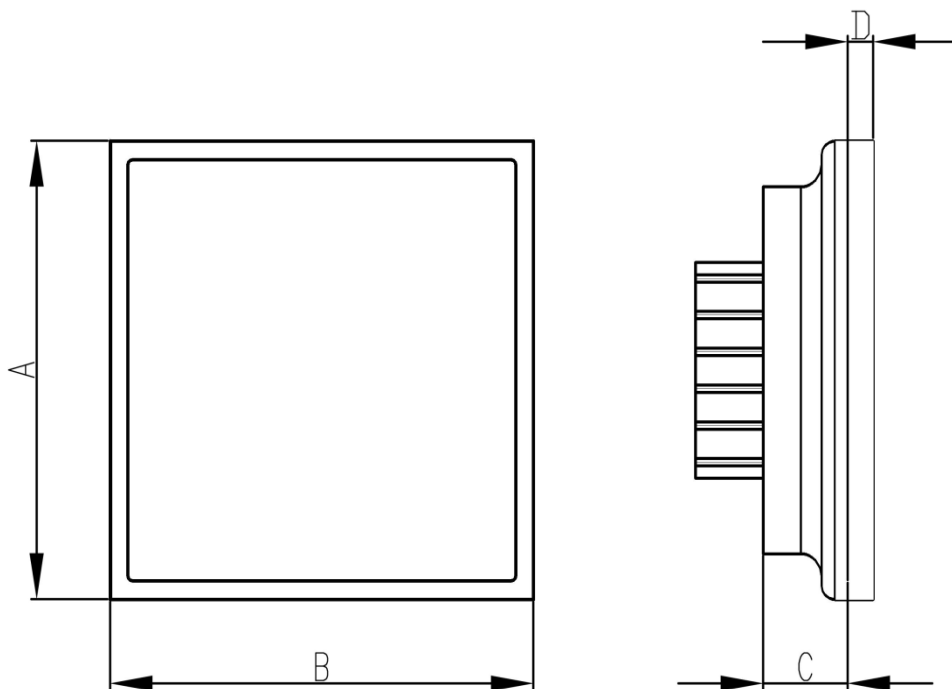
**Serie 500**

**Crown with palette**

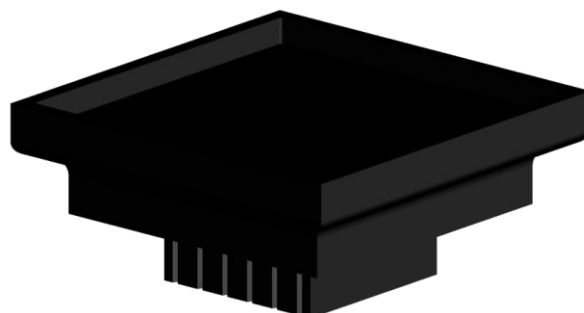
Crown without palette



**CGSPLAST**  
WE SUPPORT TECHNOLOGY



Code	A mm	B mm	C mm	D mm
522.010	50	50	10	3
522.065	65	50	10	3
522.081	80	50	10	3



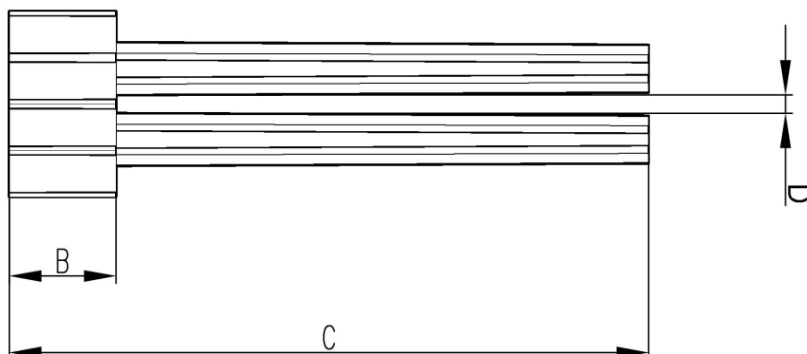
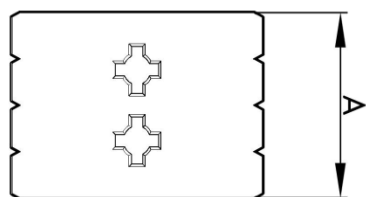
Serie 500

Crown without palette

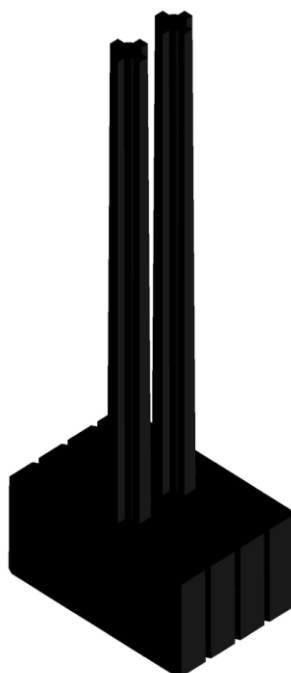
# Fork



**CGSPLAST**  
WE SUPPORT TECHNOLOGY



Code	A mm	B mm	C mm	D mm
571.000	16,4	10	60	1,6



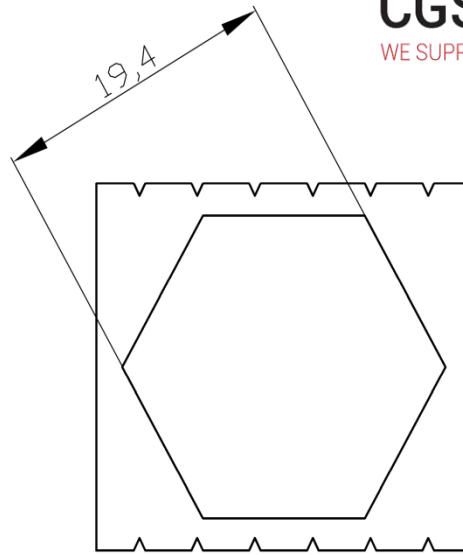
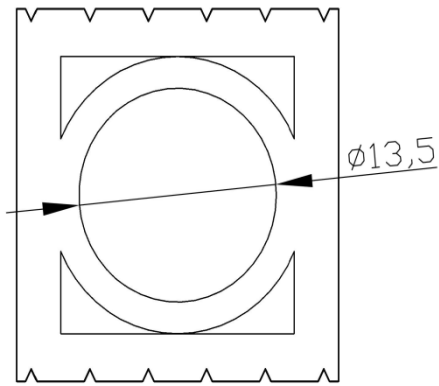
Serie 500

Fork

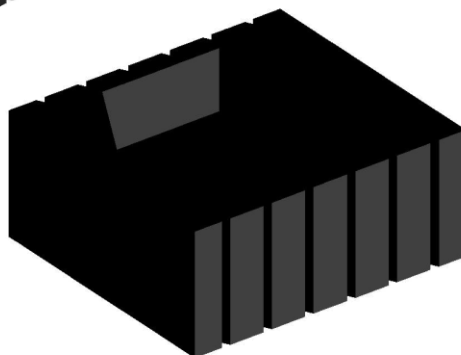
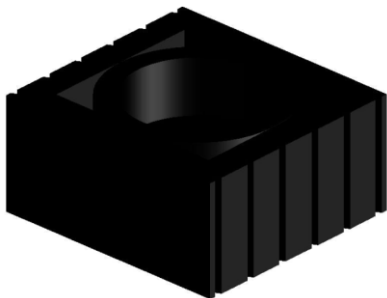


**CGSPLAST**  
WE SUPPORT TECHNOLOGY

## Screw stoppage



Code	Version
541.000	Circle
541.001	Hexagon



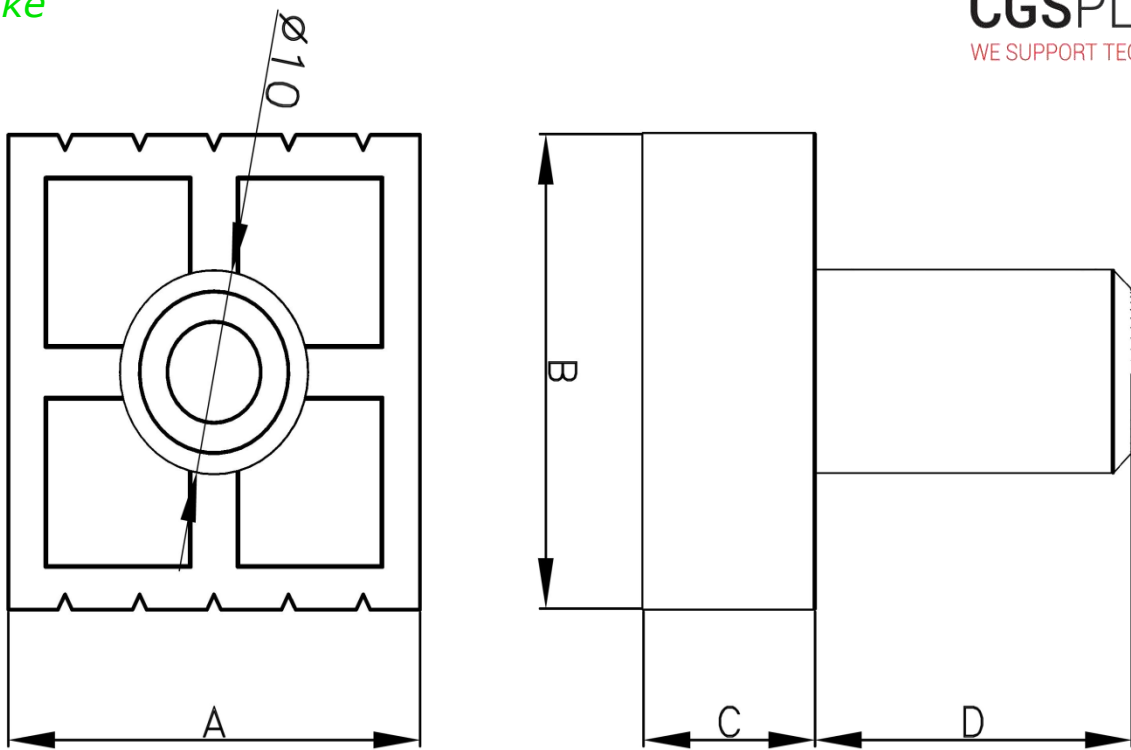
Serie 500

Screw stoppage

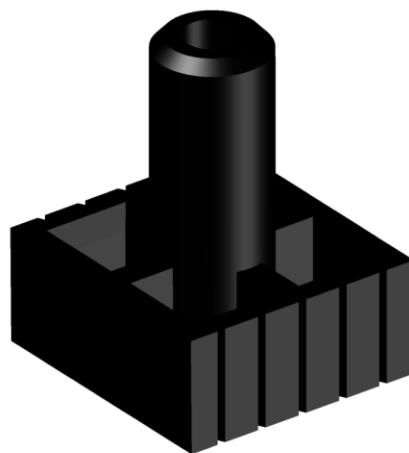
# Stake



**CGSPLAST**  
WE SUPPORT TECHNOLOGY



Code	A mm	B mm	C mm	D mm
551.000	22,1	23,5	9,2	17



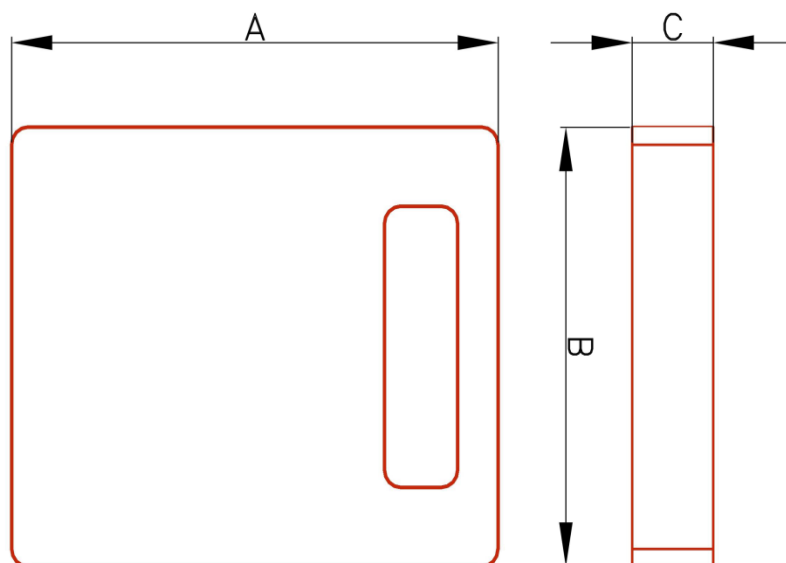
Serie 500

Stake

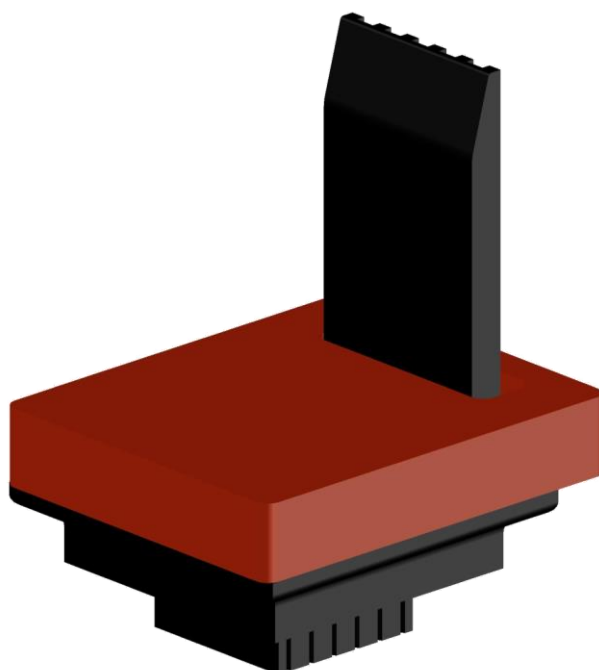
## Silicon shock absorber with eyelet



**CGSPLAST**  
WE SUPPORT TECHNOLOGY



Code	A mm	B mm	C mm
530.005	60	50	5
530.010	60	50	10
530.015	60	50	15



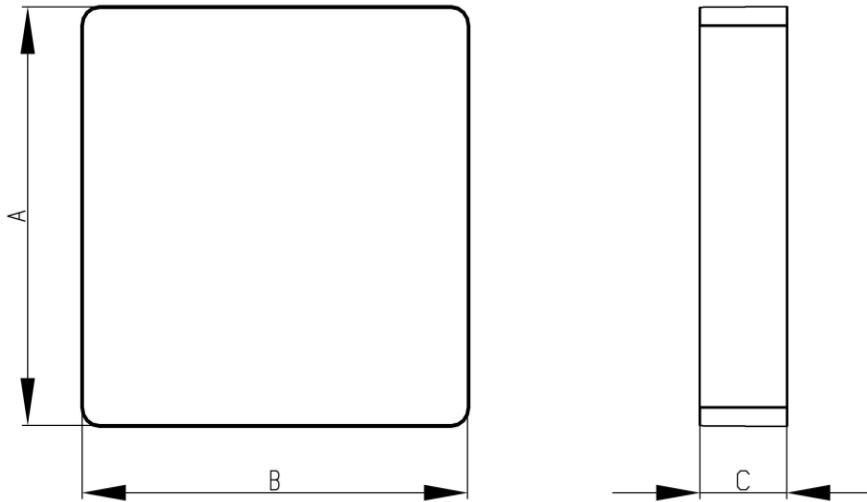
Serie 500

Silicon shock absorber with eyelet

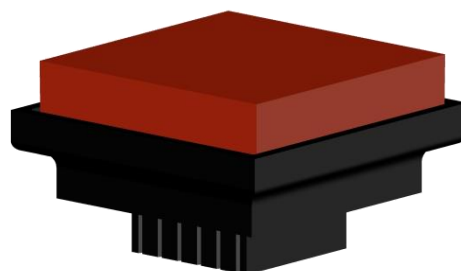
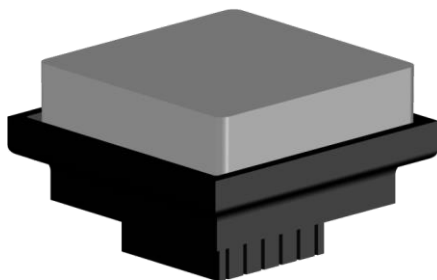


**CGSPLAST**  
WE SUPPORT TECHNOLOGY

## Silicon and EPDM shock absorber 44x44



Code	A mm	B mm	C mm	Material	Color
533.005	44	44	5	SILICON	RED
533.010	44	44	10	SILICON	RED
533.015	44	44	15	SILICON	RED
533.020	44	44	20	SILICON	RED
535.005	44	44	5	EPDM	GRAY
535.010	44	44	10	EPDM	GRAY
535.015	44	44	15	EPDM	GRAY
535.020	44	44	20	EPDM	GRAY



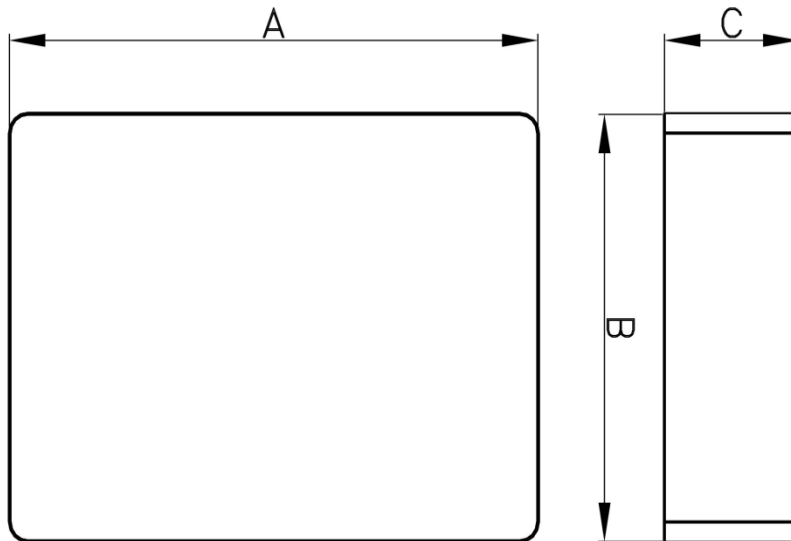
Serie 500

Silicon and EPDM shock absorber

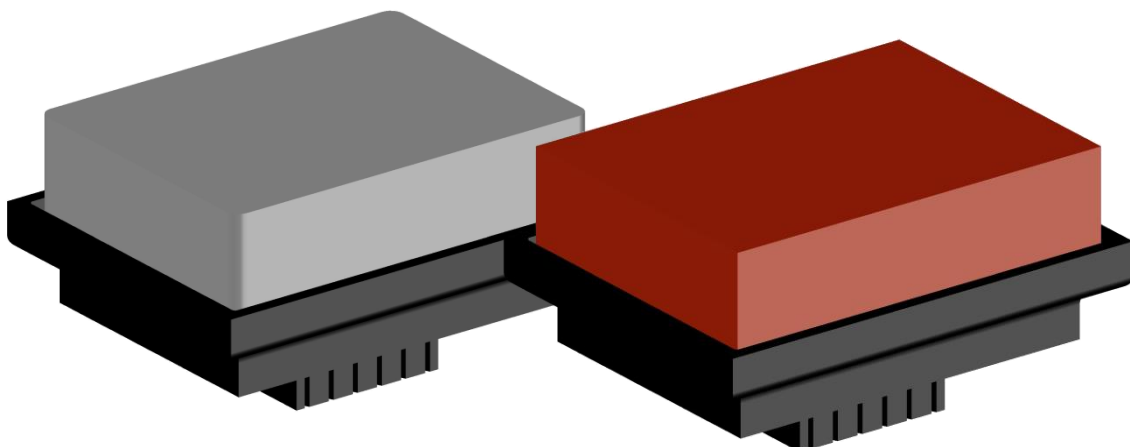


**CGSPLAST**  
WE SUPPORT TECHNOLOGY

## Silicon and EPDM shock absorber 59x44



Code	A mm	B mm	C mm	Material	Color
533.605	59	44	5	SILICON	RED
533.610	59	44	10	SILICON	RED
533.615	59	44	15	SILICON	RED
533.620	59	44	20	SILICON	RED
535.605	59	44	5	EPDM	GRAY
535.610	59	44	10	EPDM	GRAY
535.615	59	44	15	EPDM	GRAY
535.620	59	44	20	EPDM	GRAY



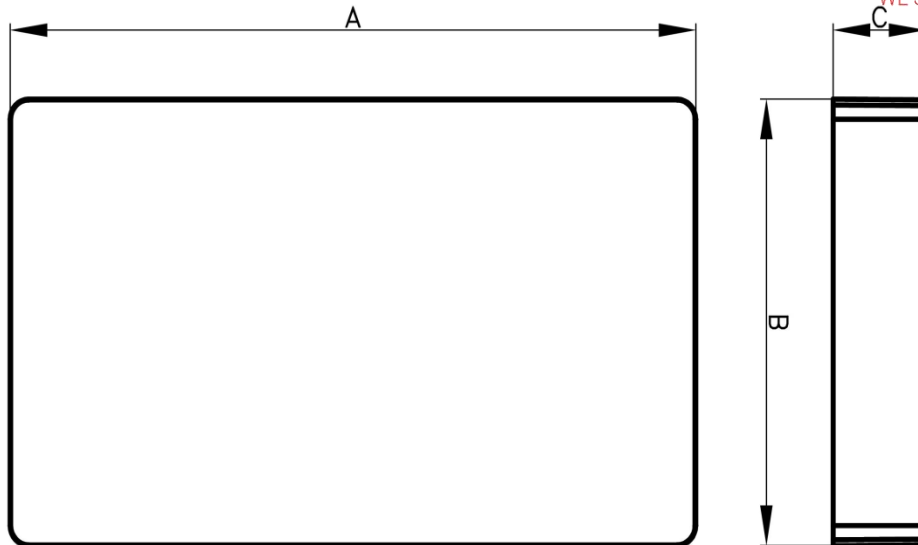
Serie 500

Silicon and EPDM shock absorber

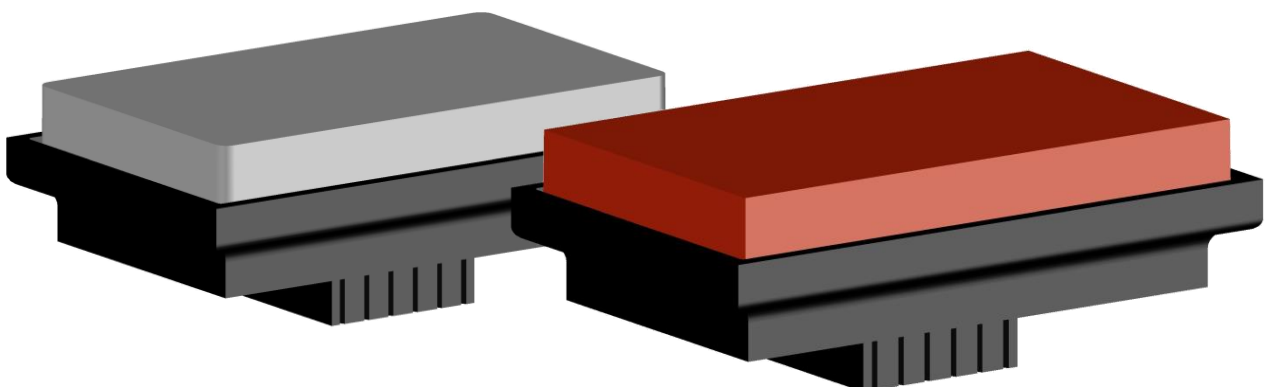


**CGSPLAST**  
WE SUPPORT TECHNOLOGY

## Silicon and EPDM shock absorber 74x44



Code	A mm	B mm	C mm	Material	Color
533.805	74	44	5	SILICON	RED
533.810	74	44	10	SILICON	RED
533.815	74	44	15	SILICON	RED
533.820	74	44	20	SILICON	RED
535.805	74	44	5	EPDM	GRAY
535.810	74	44	10	EPDM	GRAY
535.815	74	44	15	EPDM	GRAY
535.820	74	44	20	EPDM	GRAY



Serie 500

Silicon and EPDM shock absorber



**CGSPLAST**

WE SUPPORT TECHNOLOGY

Strada Longa 809, n° 8  
26815 Massalengo (LO)  
Italy

Phone: +39 0371 070025

Fax: +39 0371 070026

[info@cgsplast.com](mailto:info@cgsplast.com)

[www.cgsplast.com](http://www.cgsplast.com)

