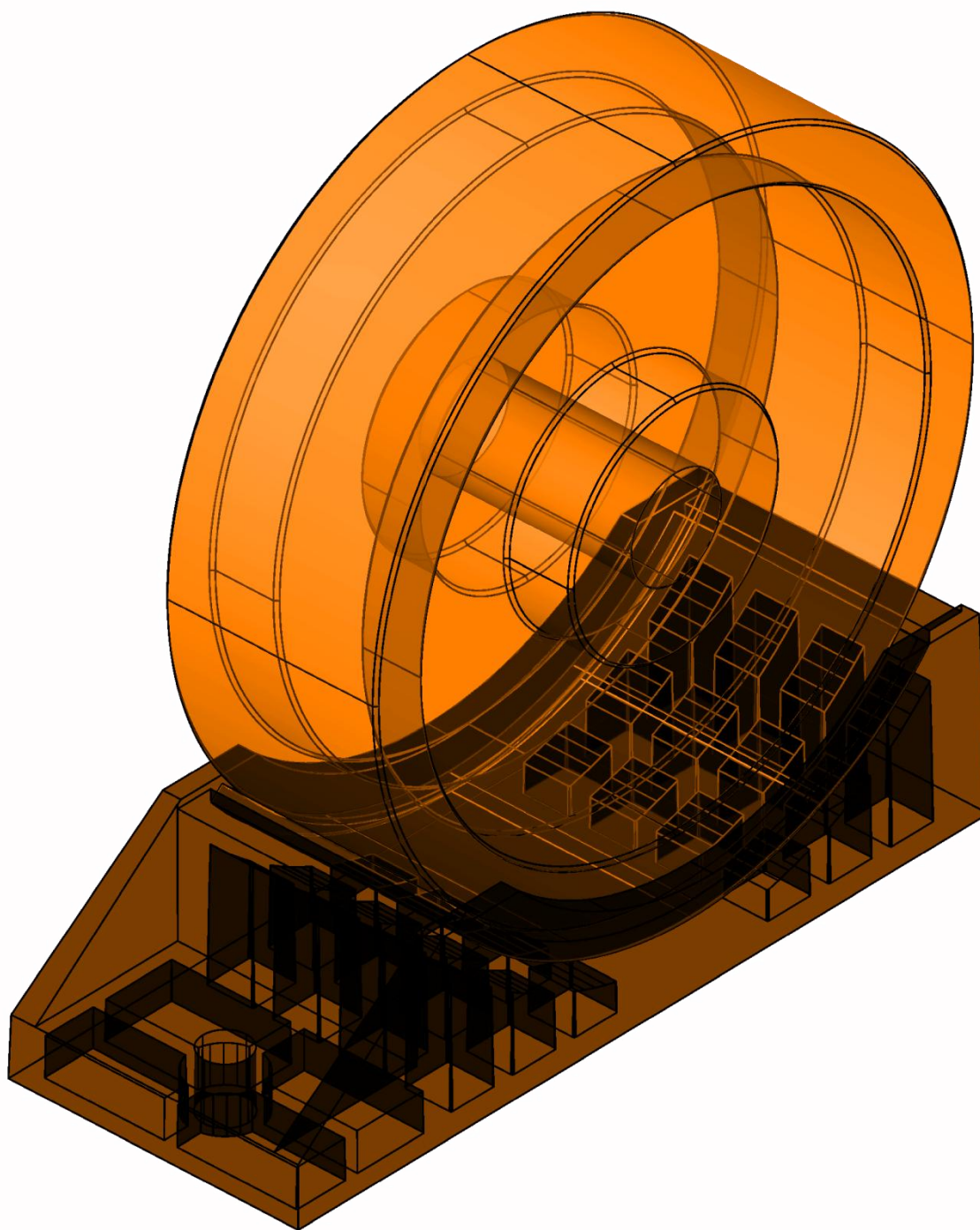
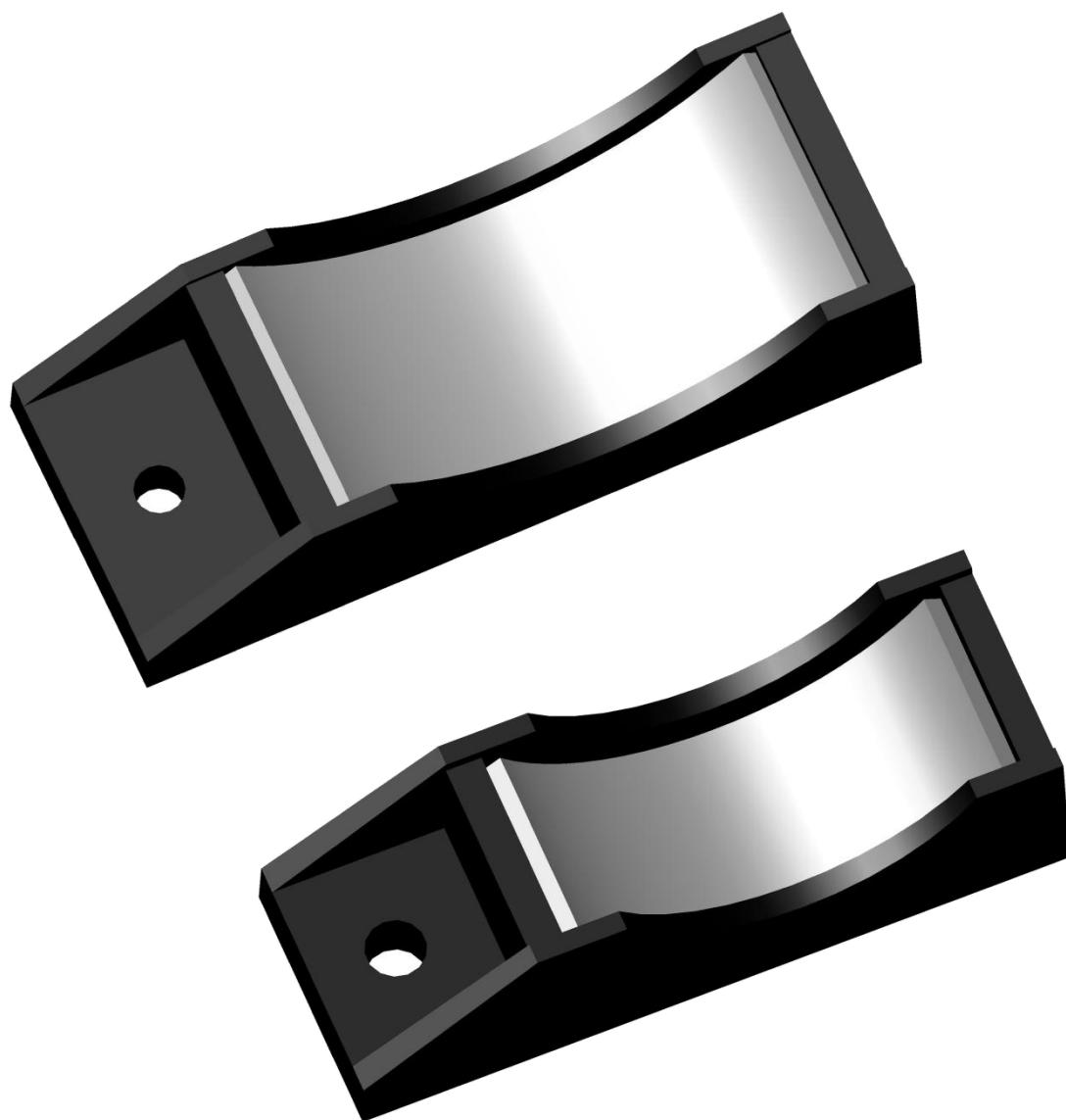


Catalogue



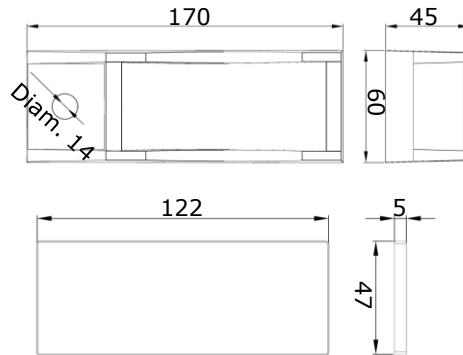
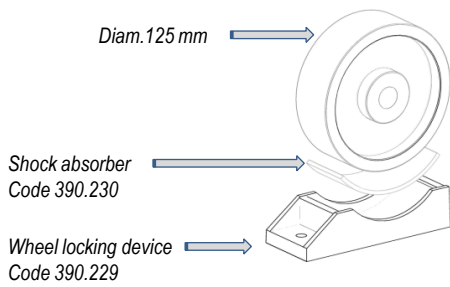
Serie 400

Catalogue

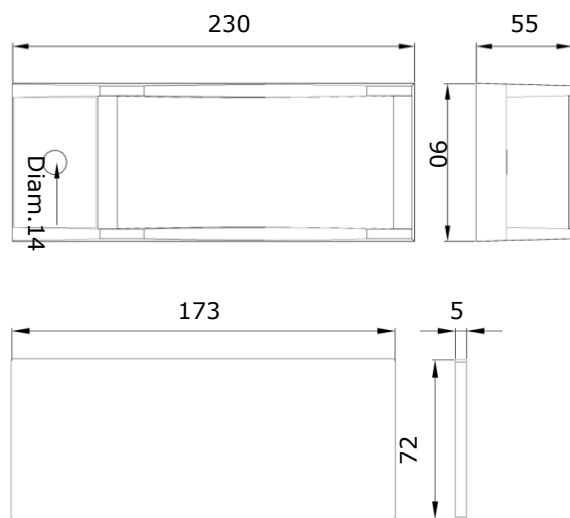
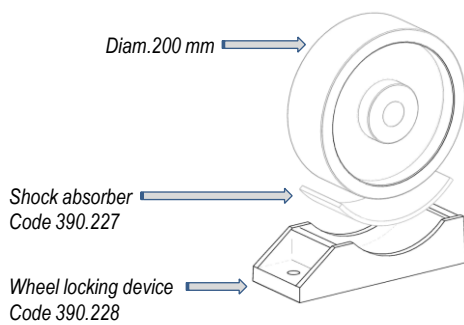


Anti-vibration system to be placed under the wheels of the transformer. The support made of polymer reinforced with glass fiber, combined with a EPDM component, allow a great reduction of vibrations transmitted to the structure and therefore of the noise. CGS PLAST is able to design and provide antivibration supports according to customer specification.

Kit code 400.125



Kit code 400.200





CGSPLAST

WE SUPPORT TECHNOLOGY

Strada Longa 809, n° 8
26815 Massalengo (LO)
Italy

Phone: +39 0371 070025

Fax: +39 0371 070026

info@cgsplast.com

www.cgsplast.com

